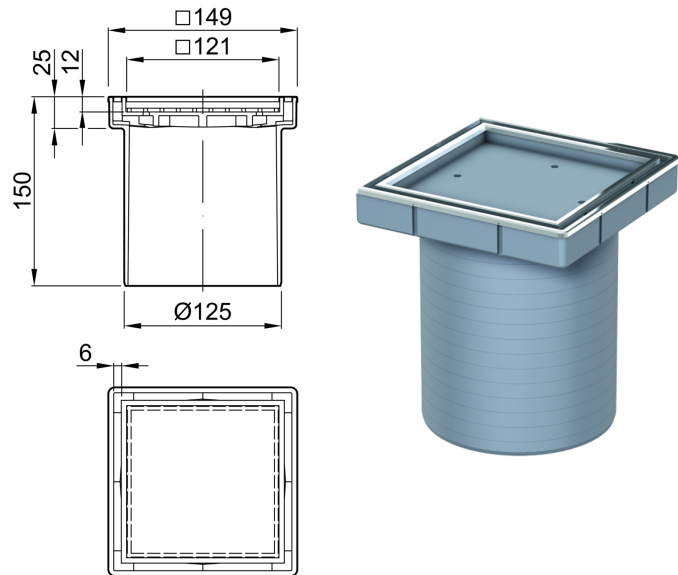


Standard top sections

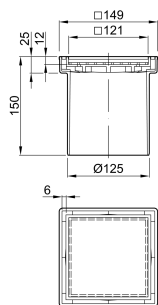
Product information



Item Technical Data 5141.24.00

Version	Frame	Height-adjustability	Description	Weight
	[mm]	[mm]		[kg]

Standard type



- Plastic
- Stainless steel
- 149 x 149

26 – 135

- Internal size: 121 x 121 mm
- External size: 129 x 129 mm
- With stainless steel frame
- Bearing surface made of plastic

0.6