



AVK UNIVERSAL SURFACE BOX

04/12

Ductile iron, reversible for fixed or floating installation

001



AVK offers a very wide range of surface boxes in fixed, floating and height adjustable designs. The surface boxes of cast iron are pre-mounted with a sealing for optimum tightness between lid and body. The large chamber provides easy access for mounting and demounting extension spindles and the closed design protects the extension spindle against sand and dirt. Furthermore, the surface boxes offer deflection ability and internal fixation of extension spindles.

Product Description:

Universal surface box - reversible fixed/floating design

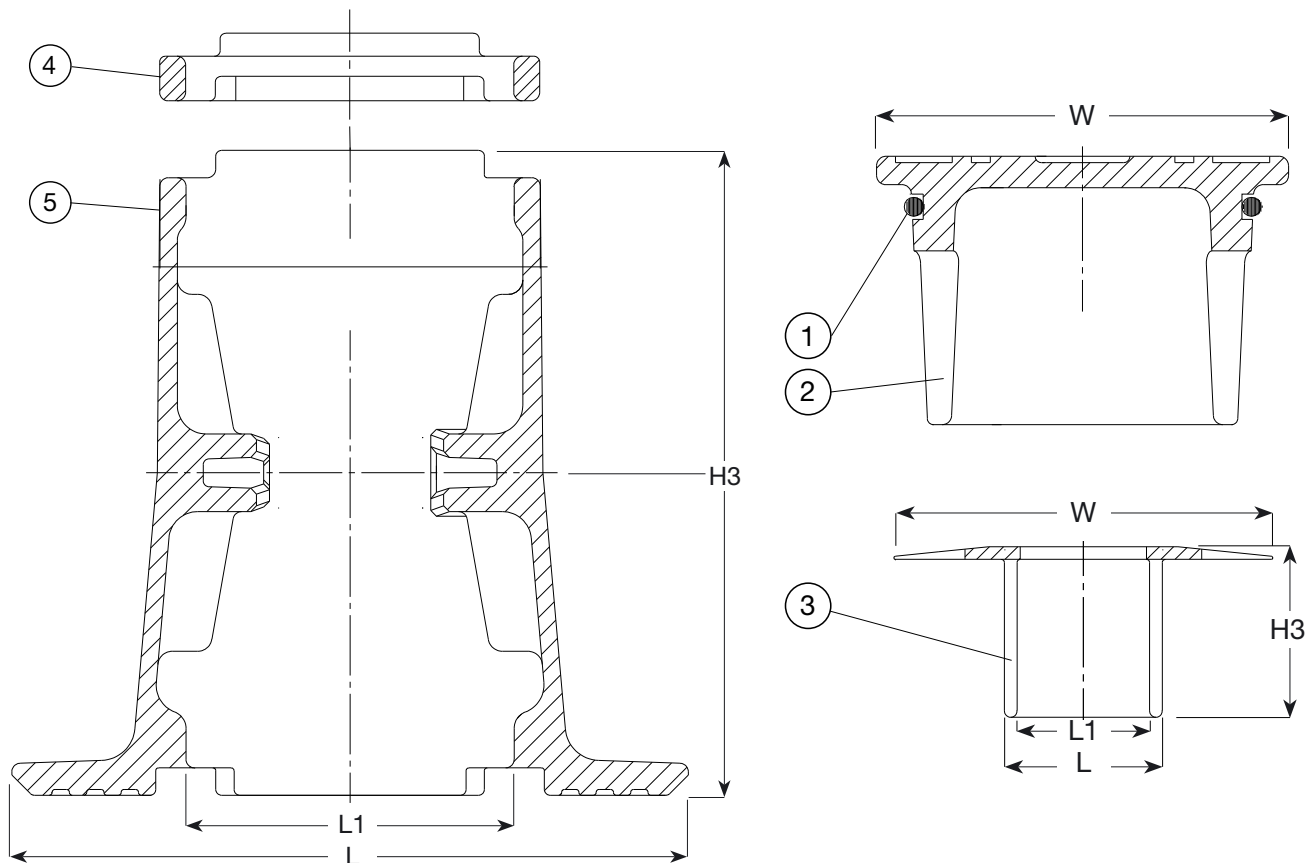
Standards:

- Designed to all standards

Features:

- Reversible surface box can be used as fixed and floating surface box
- With deflection ability
- Internal fixation of telescopic extension spindles
- Body and distance ring of ductile iron, lid of grey cast iron
- Lid sealing of NBR rubber
- Fixation plate of PE
- Epoxy coating to DIN 30677
- Lid inscriptions: "Vand - AVK", "Water - AVK"





Component List:

1. O-ring	NBR rubber	2. Lid	Grey cast iron, GJL-250 (GG-25)
3. Fixation plate	PE	4. Distance ring	Ductile iron, min. GJS-400-15 (GGG-40)
5. Body	Ductile iron, min. GJS-400-15 (GGG-40)		

Components may be substituted with equivalent or higher class materials without prior notification.

Reference Nos. and Dimensions:

AVK ref. nos	L mm	L1 mm	H3 mm	W mm	Theoretic. weight kg
04-003-51-000 ⁽¹⁾	235	114	224	131	11
04-003-53-00 ⁽²⁾	132	114	15	132	0.3
04-00359 ⁽³⁾	60	52	50	120	0.1
04-003-69-000 ⁽⁴⁾	235	114	224	131	11

⁽¹⁾ Complete surface box, lid inscription "VAND" (without distance ring)
⁽²⁾ Distance ring
⁽³⁾ Fixation plate
⁽⁴⁾ Complete surface box inscription lid "WATER" (without distance ring)