



AVK SERVICE CONNECTION VALVE, DI, PN16

36/8X-015

Black/blue SDR11 pipes ends, AISI316 stem, NBR

AVK gate valves are designed with built-in safety in every detail. The wedge is fully vulcanized with AVK's own oil and gas resistant NBR rubber compound. It features an outstanding durability due to the ability of the rubber to regain its original shape, the double bonding vulcanization process and the sturdy wedge design. The triple safety stem sealing system, the high strength stem and the thorough corrosion protection safeguard the unmatched reliability

Product description:

Service connection valves with PE pipes - SDR11, PN16 black/blue pipes. For wastewater to max. 20° C, The maximum working temperature is set according to the ISO9080 lifetime requirements for PE pipes, and is therefore not the max. temperature for the valve.

Standards:

- Designed according to EN 1074 part 1 & 2, Designed according to EN 1171

Test/Approvals:

- Seat: 1.1 x PN (in bar), Body: 1.5 x PN (in bar). Operation torque test

Features:

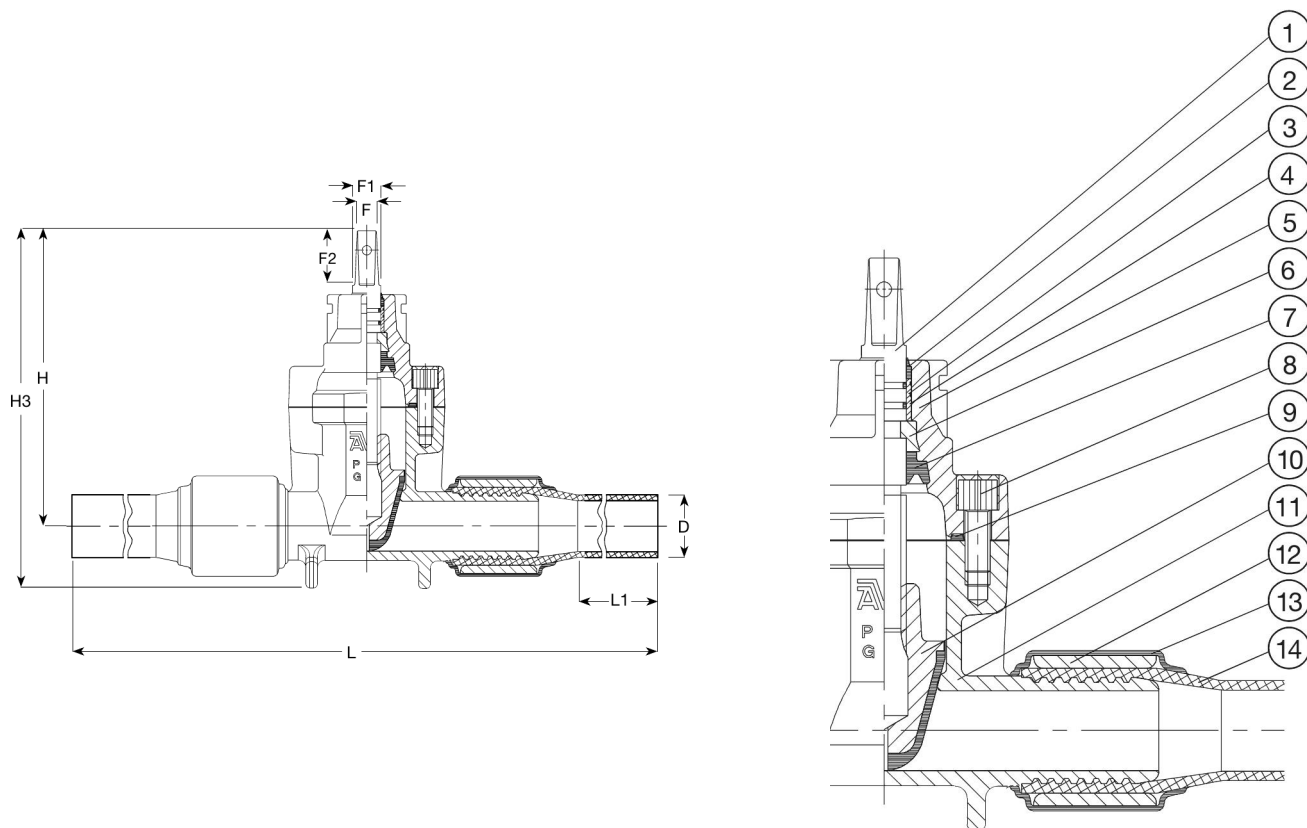
- Wedge of brass CW626N vulcanized with NBR rubber and shaped with guides and a special rubber profile ensuring low closing torques
- Stem of acid resistant stainless steel AISI 316 with rolled threads providing high strength
- Full circle thrust collar provides fixation of the stem and low free running torques
- Triple safety stem sealing with an NBR wiper ring, a polyamide bearing with four NBR O-rings and an NBR rubber manchette
- NBR bonnet gasket fixed in a recess
- Countersunk and sealed stainless steel bonnet bolts encircled by the bonnet gasket
- Full bore
- Low operating torque
- Fusion bonded epoxy coating in compliance with DIN 3476 part 1 and EN 14901, GSK approved
- A standard PE pipe is pressed onto the grooved valve end, locked with a steel ring and sealed with a plastic shrink hose.
- The boltless, full bore PE end connection is tensile resistant and stronger than the PE pipe itself. The PE pipe end enables direct welding into PE pipes resulting in a fast and secure assembly.
Note: The maximum working temperature of 20°C is set according to the ISO9080 lifetime requirements for PE pipes. For higher working temperatures expect a reduction of the PE pipe's lifetime. Please refer to the local pipe manufacturer for further information.

Accessories:

Handwheel, stem cap, extension spindle, street cover and tapping saddle.



Expect ... **AVR**



Component list:

1. Stem	Stainless steel 1.4401 (316)	8. Bonnet bolt	Stainless steel A2, sealed with melt
2. Wiper ring	NBR rubber	9. Bonnet gasket	NBR rubber
3. O-ring	NBR rubber	10. Wedge	Brass, NBR encapsulated
4. Bearing	Polyamide	11. Body	Ductile iron GJS-500-7 (GGG-50)
5. Bonnet	Ductile iron GJS-500-7 (GGG-50)	12. Sleeve	Carbon steel
6. Thrust collar		13. Shrink hose	Plastic
7. Manchette	NBR rubber	14. Pipe	PE

Components may be substituted with equivalent or higher class materials without prior notification.

Reference nos. and dimensions:

AVK ref. no.	DN	D	Product	H	H3	L (± tol)	L1	F	F1	F2	Theoretical weight/kg
	mm	mm	PN Class	mm	mm	mm	mm	mm	mm	mm	
36-032-84-16306499	25	32	PN16	163	190	800 (10)	300	12	15	35	2.7
36-040-84-16306499	32	40	PN16	176	209	820 (10)	300	12	15	35	3.4
36-050-84-163	40	50	PN16	203	235	850 (10)	300	12	15	35	5.6
36-063-84-163	50	63	PN16	213	254	900 (10)	300	12	15	35	6.8