



## AVK GATE VALVE, PE PIPE ENDS, PN10

36/80-126

Black/blue SDR17 PE100 pipes



AVK gate valves are designed with built-in safety in every detail. The wedge is fully vulcanized with AVK's own drinking water approved EPDM rubber compound. It features an outstanding durability due to the ability of the rubber to regain its original shape, the double bonding vulcanization process and the sturdy wedge design. The triple safety stem sealing system, the high strength stem and the thorough corrosion protection safeguard the unmatched reliability.

### Product description:

Gate valve with PE100 PN10 SDR17 pipes. For water and neutral liquids to max. 20° C. Note: The maximum working temperature is set according to the ISO9080 lifetime requirements for PE pipes, and is therefore not the max. temperature for the valve.

### Standards:

- Designed according to EN 1074 part 1 & 2, Designed according to EN 1171

### Test/Approvals:

- Hydraulic test according to EN 1074-1 and 2 / EN 12266
- Seat: 1.1 x PN (in bar), Body: 1.5 x PN (in bar). Operation torque test
- Approved according to ACS-France
- Belgaqua approved material
- Approved according to DIN-DVGW Certificate NW-6202BN0114
- Approved according to ACS Certificate 18 ACC NY 369
- Approved according to SVGW Certificate No. 0301-4608

### Features:

- Fixed, integral wedge nut prevents vibration and ensures durability
- Wedge fully vulcanized with drinking water approved EPDM rubber and equipped with wedge shoes to provide smooth operation
- Large conical stem hole in the wedge prevents stagnant water
- Wedge and body guide rails ensure stable operation
- Stainless steel stem with wedge stop and rolled threads for high strength
- Full circle thrust collar provides fixation of the stem and low free running torques
- Triple safety stem sealing with an NBR wiper ring, a polyamide bearing with four NBR O-rings and an EPDM rubber manchette
- Round EPDM bonnet gasket fixed in a recess
- Countersunk and sealed stainless steel bonnet bolts encircled by the bonnet gasket
- Full bore
- Low operating torque
- Fusion bonded epoxy coating in compliance with DIN 3476 part 1 and EN 14901, GSK approved
- A standard PE pipe is pressed onto the grooved valve end, locked with a steel ring and sealed with a plastic shrink hose. The boltless, full bore PE end connection is tensile resistant and stronger than the PE pipe itself. The PE pipe end enables direct welding into PE pipes resulting in a fast and secure assembly.  
Note: For higher working temperatures than max. 20°C expect a reduction of the PE pipe's lifetime. Refer to the pipe manufacturer for further information.

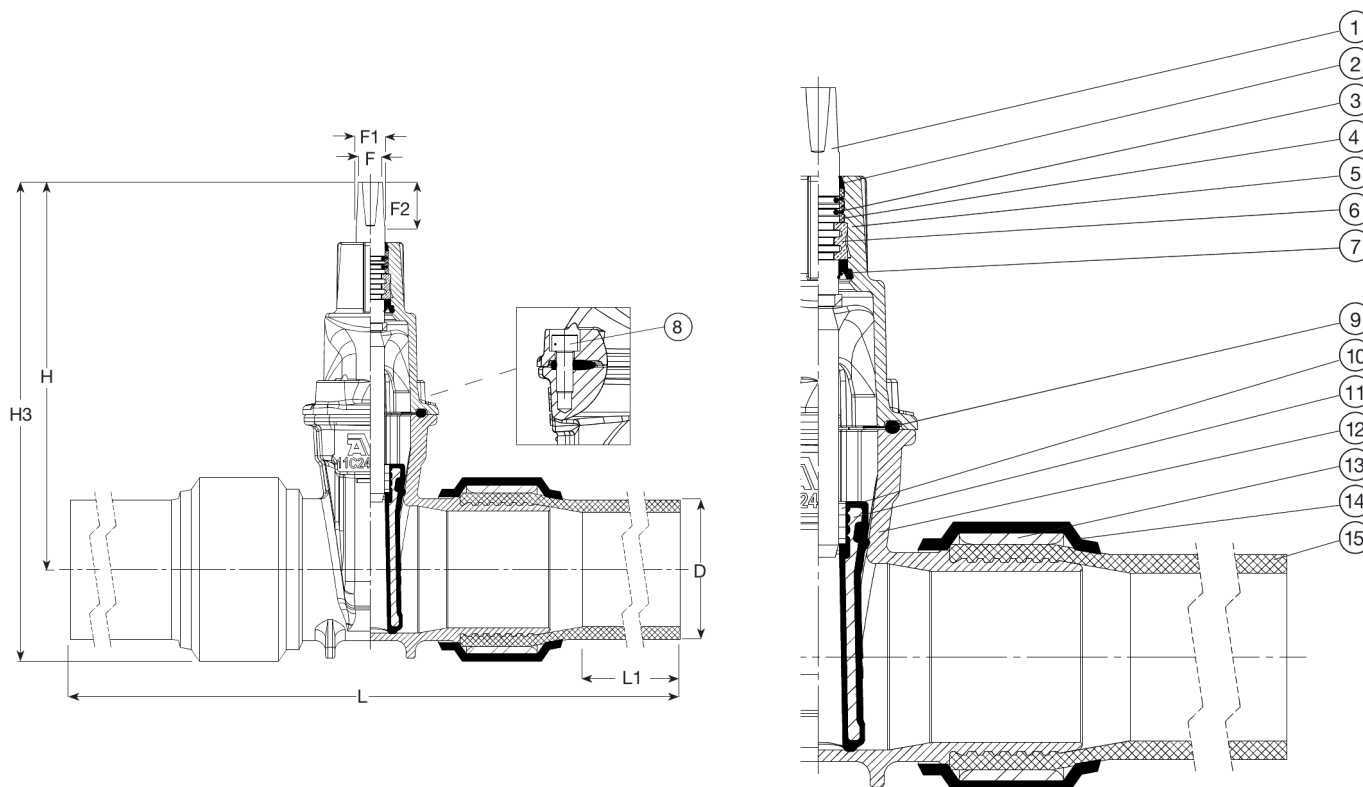
### Accessories:

Stem cap, handwheel, extension spindle and street cover



Expect... **AVR**

The designs, materials and specifications shown are subject to change without notice due to the continuous development of our product range.



**Component list:**

1. Stem	Stainless steel 1.4104 (430F)	9. Bonnet gasket	EPDM rubber
2. Wiper ring	NBR rubber	10. Wedge nut <sup>(1)</sup>	Brass DZR CW626N
3. O-ring	NBR rubber	11. Wedge	Ductile iron, EPDM encapsulated
4. Bearing	Polyamide	12. Body <sup>(*)</sup>	Ductile iron GJS-500-7 (GGG-50)
5. Bonnet <sup>(*)</sup>	Ductile iron GJS-500-7 (GGG-50)	13. Sleeve	Carbon steel
6. Thrust collar	Brass DZR CW602N	14. Shrink hose	Plastic
7. Manchette	EPDM rubber	15. Pipe	PE
8. Bonnet bolt	Stainless steel A2, sealed with hotmelt		

Components may be substituted with equivalent or higher class materials without prior notification.

\* Body and bonnet, Ø450 - Ø630 mm in GJS-400-18LT

1) DN500: ECO BRASS, DZR CW724R

**Reference nos. and dimensions:**

AVK ref. no.	DN	D	H	H3	L (± tol)	L1	F	F1	F2	Theoretical weight/kg
	mm	mm	mm	mm	mm	mm	mm	mm	mm	
36-075-80-263	65	75	271	364	900 (20)	250	17	20	34	12
36-090-80-26306499	80	90	282	382	900 (20)	255	17	20	34	12
36-110-80-26306499	100	110	305	415	860 (20)	250	19	22	34	17
36-125-80-26306499	125	125	346	471	860 (20)	300	19	22	34	26
36-160-80-26306499	150	160	418	543	1030 (20)	325	19	22	34	36
36-180-80-26306499	150	180	400	543	1030 (20)	265	19	22	34	36
36-200-80-26306499	200	200	400	543	1080 (20)	255	24	27	34	63
36-225-80-26306499	200	225	400	660	1080 (20)	265	24	27	34	72
36-250-80-263	250	250	664	810	1280 (30)	420	27	31	47	118
36-280-80-263	250	280	664	823	1360 (30)	365	27	31	47	126
36-315-80-263	300	315	740	924	1420 (30)	355	27	31	47	189
36-355-80-263	300	355	740	961	1520 (30)	355	27	31	47	230
36-400-80-263	400	400	912	1165	1700 (30)	355	32	37	55	376
36-450-80-263	400	450	935	1200	1800 (40)	384	32	37	55	424

The designs, materials and specifications shown are subject to change without notice due to the continuous development of our product range.

**AVK GATE VALVE, PE PIPE ENDS, PN10****36/80-126****Black/blue SDR17 PE100 pipes****Reference nos. and dimensions:**

AVK ref. no.	DN	D	H	H3	L (± tol)	L1	F	F1	F2	Theoretical weight/kg
	mm	mm	mm	mm	mm	mm	mm	mm	mm	
36-500-80-263	400	500	951	1246	1850 (40)	350	32	37	55	486
36-560-80-263 (1)	500	560	1118	1448	2200 (40)	474	Ø30	-	75	958
36-630-80-263 (1)	500	630	1136	1502	2350 (40)	534	Ø30	-	75	1063

(1) With F14 top flange. Ø round stem w/keyway