



Use:

For water and sewage to max. 70°C.
PUR balls max. 50°C.

Materials:

Standard balls:

Core (hollow) DN 50-100: Steel/NBR rubber
 DN 125-400: Ductile iron/NBR rubber

PUR balls:

Core (solid) Polyurethane

O-rings:

NBR

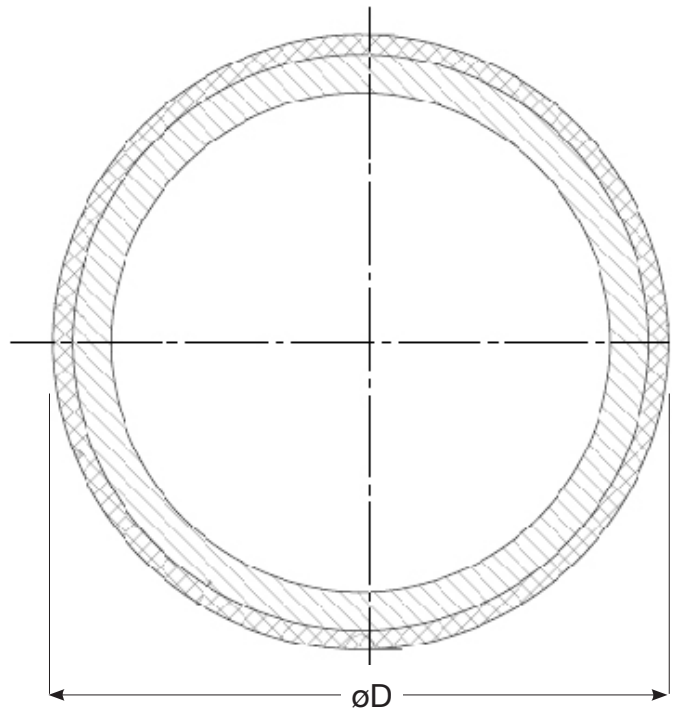
Options:

Ball of polyurethane for special applications



O-rings between bonnet and body

Part no.	Check valve	Diameter
1520025	DN 32/40	ø53,75 x ø3,53
010623	DN 50	ø70 x ø4,5
9610005959	DN 65	ø687,2 x ø5,7
010624	DN 80	ø104,14 x ø5,33
010625	DN 100	ø134,2 x ø5,7
010626	DN 125/150	ø189,87 x ø6,99
010627	DN 200	ø260 x ø8
010628	DN 250	ø320 x ø8
010629	DN 300	ø382 x ø8
010630	DN 350	ø444 x ø8
010631	DN 400	ø510 x ø10
9610000335	DN 500	ø700 x ø12
9610000336	DN 600	ø830 x ø14



Standard rubber lined balls (NBR) with standard weights

Part no.	Check valve	Diameter øD	Weight g
53-048-150	DN 32/40	48	127
53-060-150	DN 50	60	226
53-080-150	DN 65	80	427
53-095-150	DN 80	95	628
53-120-150	DN 100	120	1266
53-175-150	DN 125/150	175	3928
53-240-150	DN 200	240	9400
53-300-150	DN 250	300	17700
53-360-150	DN 300	360	30000
53-420-150	DN 350	420	48000
53-480-150	DN 400	480	72000

PUR floating balls

Part no.	Check valve	Diameter øD	Weight g
53-048-055	DN 32/40	48	48
53-060-055	DN 50	60	90
53-080-055	DN 65	80	570
53-095-055	DN 80	95	350
53-120-055	DN 100	120	720
53-175-055	DN 125/150	175	2200
53-240-055	DN 200	240	5500
53-300-055	DN 250	300	10800
53-360-055	DN 300	360	18400
53-420-055	DN 350	420	30000
53-480-055	DN 400	480	45000

PUR balls with standard weights

Part no.	Check valve	Diameter øD	Weight g
53-048-050	DN 32/40	48	127
53-060-050	DN 50	60	226
53-095-050	DN 80	95	628
53-120-050	DN 100	120	1266
53-175-050	DN 125/150	175	3928
53-240-050	DN 200	240	9400
53-300-050	DN 250	300	17700
53-360-050	DN 300	360	30000
53-420-050	DN 350	420	48000
53-480-050	DN 400	480	72000

PUR balls with 20% heavier weights

Part no.	Check valve	Diameter øD	Weight g
53-048-052	DN 32/40	48	144
53-060-052	DN 50	60	256
53-095-052	DN 80	95	807
53-120-052	DN 100	120	1628
53-175-052	DN 125/150	175	5505
53-240-052	DN 200	240	11300
53-300-052	DN 250	300	21300
53-360-052	DN 300	360	36000
53-420-052	DN 350	420	57000
53-480-052	DN 400	480	86000

PUR balls with 20% lighter weights

Part no.	Check valve	Diameter øD	Weight g
53-048-054	DN 32/40	48	114
53-060-054	DN 50	60	203
53-095-054	DN 80	95	565
53-120-054	DN 100	120	1139
53-175-054	DN 125/150	175	3535
53-240-054	DN 200	240	8460
53-300-054	DN 250	300	15930
53-360-054	DN 300	360	27000
53-420-054	DN 350	420	43200
53-480-054	DN 400	480	64800

* Weight tolerance +/- 5%