



AVK BALL CHECK VALVE, THREADED, PN10

53/30-005

Ductile iron

AVK ball check valves are self-cleaning and with full bore. The ball rotates during operation eliminating the risk of impurities getting stuck on the ball. The full and smooth bore ensures full flow with low pressure loss and eliminates the risk of deposits at the bottom. AVK ball check valves are available with flanges and internal threads. They are delivered with NBR lined ball as standard and optionally with ball of polyurethane available in different weights.

Product description:

Ball check valve with BSP threads for wastewater treatment and neutral liquids to max. 70° C

Standards:

- Designed according to EN 12050-4
- Face-to-face dimension according to EN 558 Table 2 Basic Series 48

Test/Approvals:

- Hydraulic test according to EN12050-4
- Approved according to 60143502, TÜV-Mark

Features:

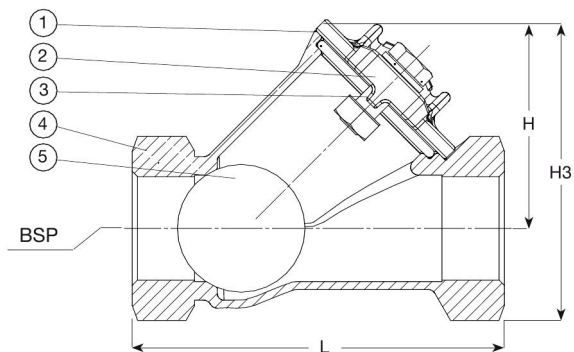
- Self-cleaning construction, where the ball rotates during operation eliminating the risk of impurities getting stuck on the ball
- Full bore ensures low pressure loss and minimum back pressure
- Smooth bore eliminates the risk of deposits at the bottom
- Ball of aluminium vulcanized with NBR rubber. The rubber hardness is optimised to prevent the ball from getting stuck in the seat.
- The ball is optionally available in polyurethane suitable for abrasive media and if different ball weights are necessary to prevent vibration and water hammer
- Compact design and low weight
- Bolts and nuts of stainless steel and body and cover of ductile iron with epoxy coating internally and externally,



Expect ... **AVR**

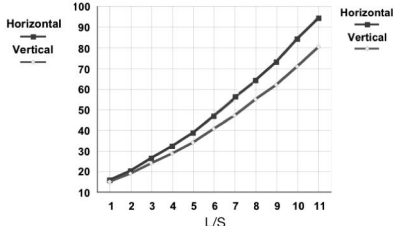
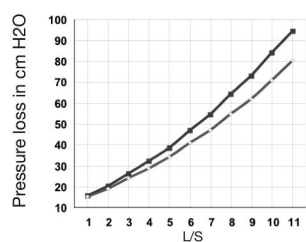
The designs, materials and specifications shown are subject to change without notice due to the continuous development of our product range.

Ductile iron

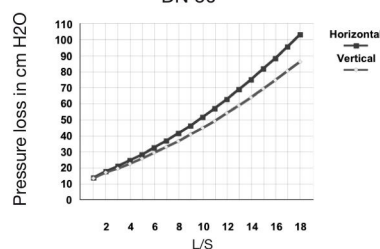


DN 32

DN 40



DN 50



Component list:

1. Cover	Ductile iron GJS-500-7 (GGG-50)	4. Body	Ductile iron GJS-500-7 (GGG-50)
2. Bolt/nut/washer	Stainless steel A2	5. Ball	Aluminium with NBR-liner
3. Gasket	NBR rubber		

Components may be substituted with equivalent or higher class materials without prior notification.

Reference nos. and dimensions:

AVK ref. no.	DN mm	Product PN Class	L mm	H mm	H3 mm	BSP thread Inch	Theoretical weight / kg
53-032-30-9007	32	PN10	140	83	118	1¼	2.0
53-040-30-9007	40	PN10	140	83	118	1½	2.0
53-050-30-9007	50	PN10	180	101	144	2	3.0