

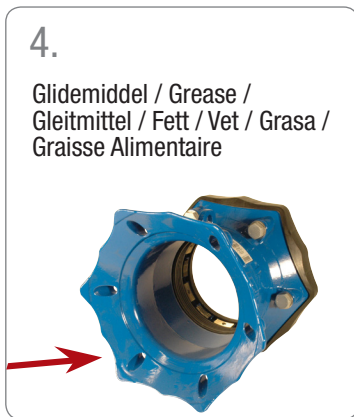
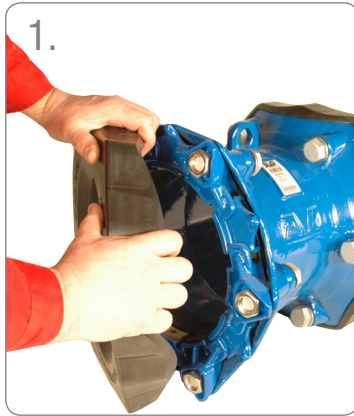


AVK SUPA MAXI™

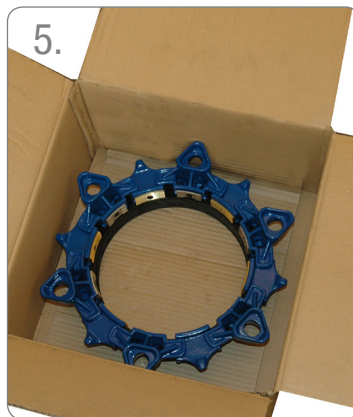
SERIES 631/632/633/634/635

Mounting instruction for replacement of bracket section

In case of damaged gasket or bracket section.



Glidemiddel / Grease /
Gleitmittel / Fett / Vet / Grasa /
Graisse Alimentaire



DN	Bolt sizes
50	3 x M14 x 75 mm
65	3 x M16 x 75 mm
80	3 x M16 x 75 mm
100	4 x M16 x 75 mm
125	4 x M16 x 75 mm
150	4 x M16 x 80 mm
200	6 x M20 x 100 mm
225	6 x M20 x 100 mm
250	6 x M20 x 100 mm
300	8 x M20 x 110 mm
350	9 x M24 x 120 mm
400	10 x M24 x 120 mm
450	12 x M24 x 120 mm
500	14 x M24 x 120 mm
600	18 x M24 x 130 mm

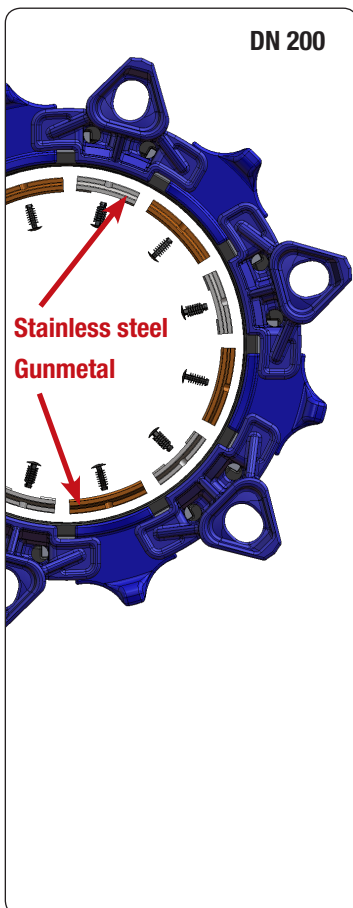
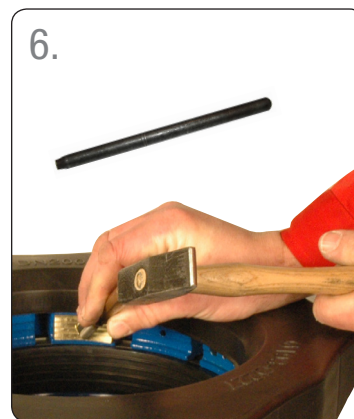
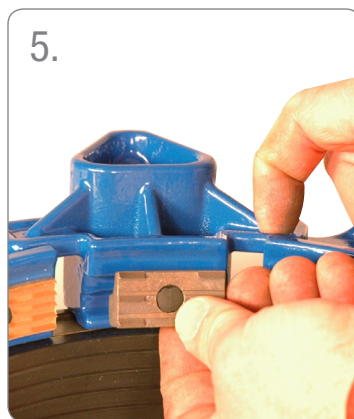
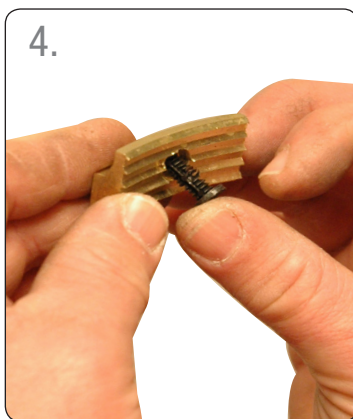
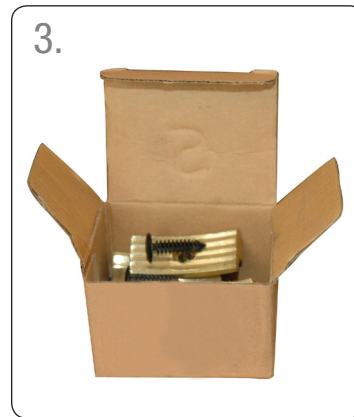
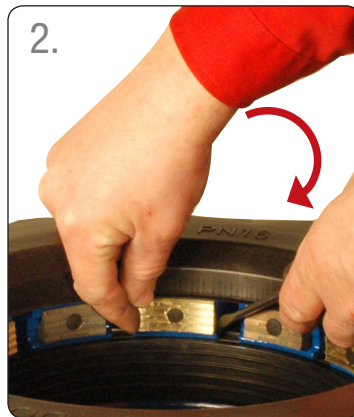
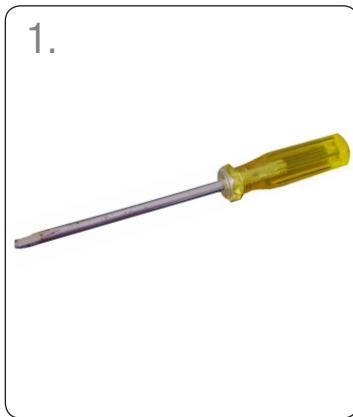
DN	Ref. nos. EPDM	Ref. nos. NBR	DN	Ref. nos. EPDM	Ref. nos. NBR
*50	631-050-256061	631-050-252061	* 250	631-250-256061	631-250-252061
65	631-065-256061	631-065-252061	* 300	631-300-256061	631-300-252061
80	631-080-256061	631-080-252061	350	631-350-256061	631-350-252061
100	631-100-256061	631-100-252061	400	631-400-256061	631-400-252061
125	631-125-256061	631-125-252061	450	631-450-256061	631-450-252061
*150	631-150-256061	631-150-252061	500	631-500-256061	631-500-252061
200	631-200-256061	631-200-252061	600	631-600-256061	631-600-252061
*225	631-225-256061	631-225-252061			

* For couplings produced before 2013, please note that bolt sizes are changed.
In addition to the spare gasket unit, new bolts are required as old bolts may not be re-used.
Please consult AVK directly for bolt issues.



Mounting instruction for replacement of grip segments

In case of damaged grip segments. Note: If the coupling has been mounted on iron/steel/AC pipes, and is to be reused on PE or PVC pipes, the gunmetal grip segments (every second) must be replaced first.



DN	# in box*	Ref. nos. Gunmetal	Ref. nos. Stainless steel
50	3	631-050-06001	631-050-04001
65	3	631-065-06001	631-065-04001
80	3	631-080-06001	631-080-04001
100	4	631-100-06001	631-100-04001
125	4	631-125-06001	631-125-04001
150	4	631-150-06001	631-150-04001
200	6	631-200-06001	631-200-04001
225	6	631-225-06001	631-225-04001
250	6	631-250-06001	631-250-04001
300	8	631-300-06001	631-300-04001
350	9	631-350-06001	631-350-04001
400	10	631-400-06001	631-400-04001
450	12	631-450-06001	631-450-04001
500	14	631-500-06001	631-500-04001
600	18	631-600-06001	631-600-04001

* Quantity of grip segments/pins per box.

One box of gunmetal grip segments and one box of stainless steel grip segments per Supa Maxi™ coupling end.