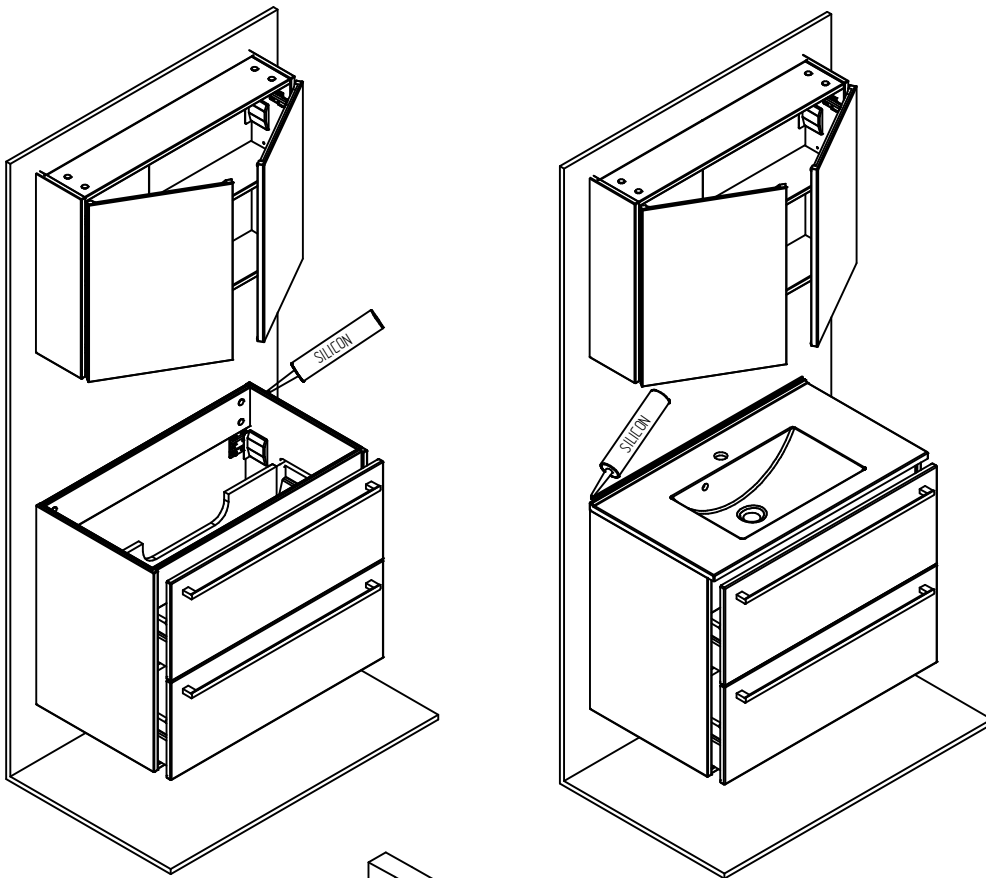
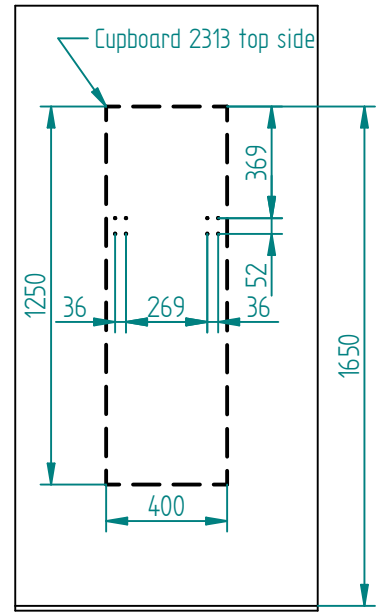
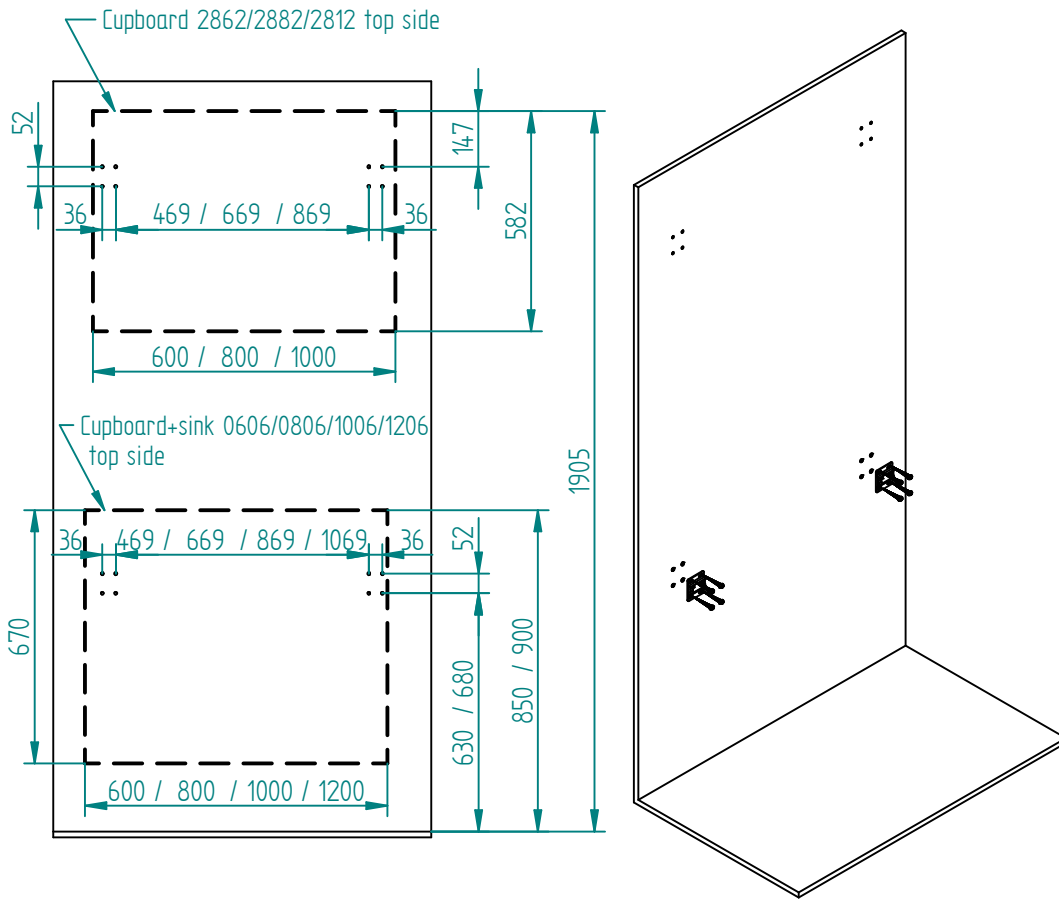


# INSTALLATION FORMA / WILLINGEN



## DETAIL A

