

DUCKFOOT BEND 90° series N



TECHNICAL CHARACTERISTICS

Flange end connections according to EN1092-2: PN10/PN16
 Designed according to EN545
 Maximum working pressure: PN16 / 16 bar
 Working temperature: 0°C - +70°C
 Color RAL5015
 Powder epoxy coating 250 µm thickness
 Body from ductile iron EN-GJS-500-7
 WRAS approved epoxy coating,
 ACS approved epoxy coating under request

STUDDED REDUCER FLANGE series XR



TECHNICAL CHARACTERISTICS

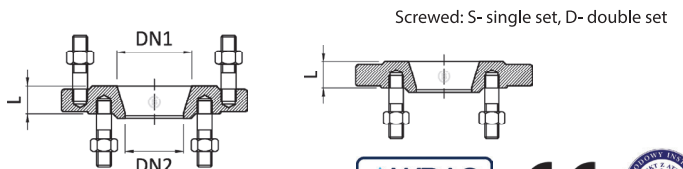
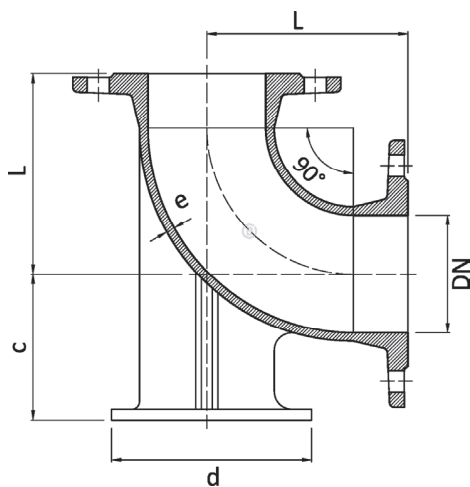
Flange end connections according to EN1092-2
 Drilling of flanges: PN10/16, starting from DN200 - PN10
 Maximum working pressure: PN16 / 16 bar
 Working temperature: 0°C - +70°C
 Color RAL5015
 Powder epoxy coating 250 µm thickness
 Body from ductile iron EN-GJS-500-7
 WRAS approved epoxy coating
 Bolts, nuts and washers - hot dip galvanized 8.8 carbon steel



DUCTILE IRON FITTINGS

DN	Flange drilling	L	C	d	e	Weight	BLUCAST ref. no.
80	PN10/16	165	110	180	7	12.2	N080
100	PN10/16	180	125	200	7.2	15	N100
150	PN10/16	220	160	250	7.8	30.5	N150
200	PN10	260	190	300	8.4	47.5	N200
250	PN10	350	225	350	9	76.8	N250
300	PN10	400	255	400	9.6	109	N300
400	PN10	500	320	500	10.8	185	N400
500	PN10	600	385	600	12	292	N500
600	PN10	700	450	700	13.2	446	N600

DN1	DN2	Flange drilling	L	Screws	Weight	BLUCAST ref. no.	SYI
65	50	PN10/16	45	D	5.6	XR065050	6.2
80	50	PN10/16	30	D	5.7	XR080050	5.7
80	65	PN10/16	30	D	4.9	XR080065	5.9
100	50	PN10/16	30	D	5.4	XR100050	6.6
100	65	PN10/16	30	D	5.8	XR100065	6.3
100	80	PN10/16	45	D	8.7	XR100080	10.2
125	80	PN10/16	31	D	7.5	XR125080	7.6
125	100	PN10/16	42	D	8.9	XR125100	12
150	50	PN10/16	33	S	11	XR150050	11.1
150	65	PN10/16	30	S	9.1	XR150065	10.8
150	80	PN10/16	30	S	8.8	XR150080	10.7
150	100	PN10/16	30	D	11.1	XR150100	10.6
150	125	PN10/16	45	D	11.8	XR150125	14.9
200	65	PN10	33	S	13.5	XR200065	14.9
200	80	PN10	33	S	13.3	XR200080	15.2
200	100	PN10	33	S	13.2	XR200100	15.1
200	150	PN10	38	S	15	XR200150	15.1
250	100	PN10	31	D	21.9	XR250100	20.4
250	150	PN10	40	S	26.8	XR250150	22.7
250	200	PN10	50	D	22.7	XR250200	22.2
300	80	PN10	31	D	26.5	XR300080	25.8
300	100	PN10	40	D	26	XR300100	27.2
300	150	PN10	31	D	25.3	XR300150	26.3
300	200	PN10	32	S	24.1	XR300200	23.9
300	250	PN10	33	D	31.2	XR300250	24.2
400	100	PN10	38	S	53.8	XR400100	53.8
400	150	PN10	38	S	50.2	XR400150	50.2
400	200	PN10	38	S	46.2	XR400200	46.2
400	250	PN10	38	S	40.3	XR400250	40.3
400	300	PN10	39	S	39.8	XR400300	39.8
500	100	PN10	47	S	116	XR500100	116
500	200	PN10	47	S	91	XR500200	91
500	300	PN10	47	S	84.4	XR500300	84.4
500	400	PN10	47	S	100	XR500400	100



All illustrations, technical data, dimensions (in mm) and weights (all weights specified in kg) are non-binding and are subject to change

