

Installation guide

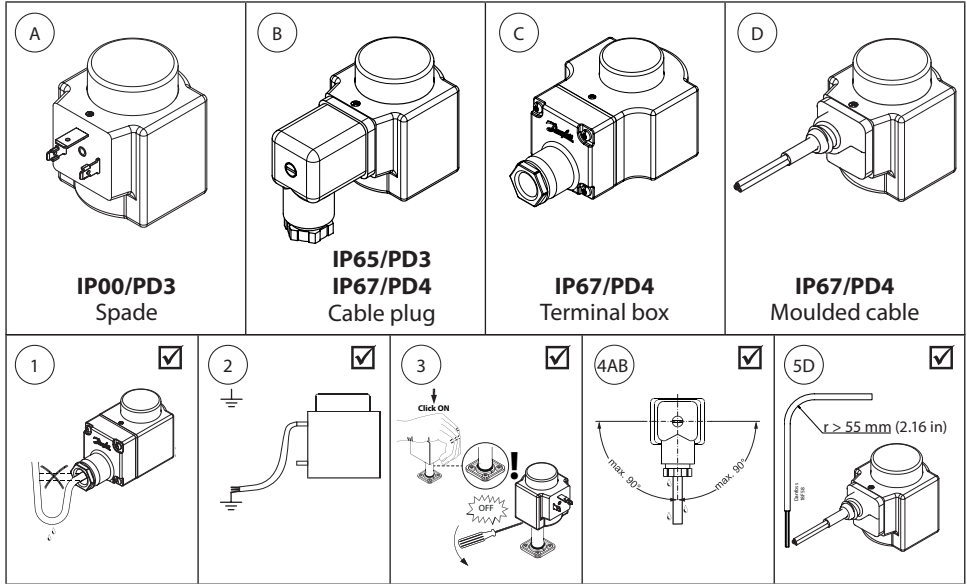
Solenoid coil

Type BB, BG, BQ, BT, BU, BY and BN

UK
CA

018R9670

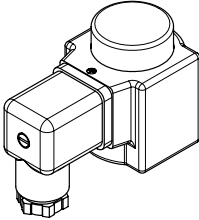
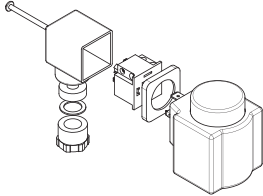
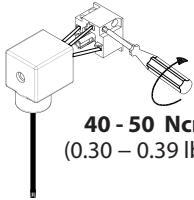
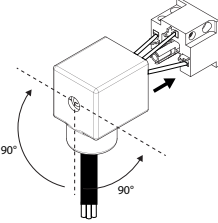
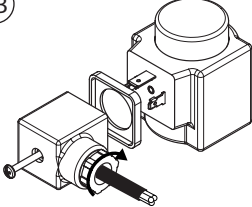
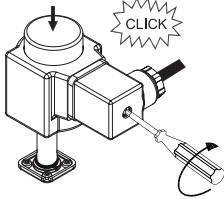
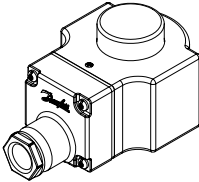
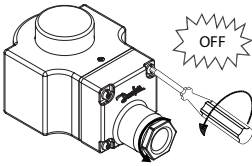
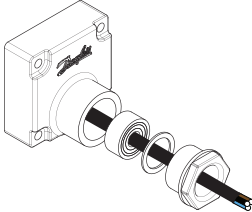
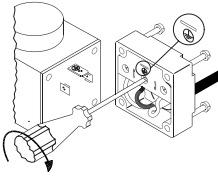
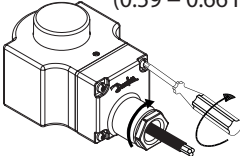
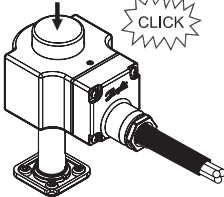
018R9670



Type of control	1		
Class of protection	Class I		
Ambient temperature	See T _{ambient} On coil		
Voltage variation	For voltage variation, see print on coil		
Voltage tolerances	For voltage tolerances see datasheet, when ordering the coil		
Humidity	Only none-conductive pollution occurs except that occasionally a temporary conductivity caused by condensation is to be expected.		
Ball pressure test	200 °C (392 °F)		
Impulse withstand voltage	Terminal box	4.0 kV at altitude <4000 m (13123 ft)	
	Cable	4.0 kV at altitude <4000 m (13123 ft)	
	Spade	4.0 kV at altitude <4000 m (13123 ft)	
	Plug	4.0 kV at altitude <2000 m (6561 ft)	
Overvoltage category	III		
Degree of protection IPXX	Enclosure rating according to IEC standard 60529 Pollution degree according to EN60664-1	IP67 plug	PD4
Pollution degree PDX		IP65 plug IP20 protection cap IP00 spade	PD3
Installation	Integrated control (picture A - D) Incorporated control (picture A - D) Independently mounted control (IP65 and IP67) (picture B - D)		
Suitable cable and conductor size for terminal box	ø6.6 – ø11 mm (ø0.26 – ø0.43 in) 0.75 – 1.5 mm ² (21 – 15 AWG flexible cord)		
Suitable cable for cable plug	See datasheet when ordering the coil		
Moulded cable size	Ø6,6 mm (ø0.26 in)		
Cable conductor size	3 x 0.75 mm ² (3 x 0.001 in ²)		
Moulded cable	The supply cord of this control cannot be replaced, if the cord is damaged. The control should be discarded		
Plugs can be removed/mounted	10 times		
Surface temperature	Independantly mounted controls should be sealed off if the coil temperature exceed higher than 85°C		

- Only qualified personnel is allowed to install or maintain this product
- Disconnect the power when dismantling the coil
- Avoid direct exposure to alkaline conditions, use in neutral conditions is recommended
- If the coil is used as independently mounted control, the end-user shall use a plastic cable gland with strain relief
- Technical specifications are according to EN60730-1

Info for UK customers only: Danfoss Ltd. Oxford Road, UB9 4LH Denham, UK

<p>(B)</p> 	<p>(6B)</p> 	<p>(7B)</p>  <p>40 - 50 Ncm (0.30 - 0.39 lb-ft)</p>
<p>(8B)</p> 	<p>(9B)</p>  <p>250 - 375 Ncm (1.85 - 2.77 lb-ft)</p>	<p>(10B)</p>  <p>50 - 60 Ncm (0.39 - 0.44 lb-ft)</p>
<p>(C)</p> 	<p>(6C)</p>  <p>OFF</p>	<p>(7C)</p> 
<p>(8C)</p>  <p>40 - 50 Ncm (0.30 - 0.39 lb-ft)</p>	<p>(9C)</p>  <p>80 - 90 Ncm (0.59 - 0.66 lb-ft)</p>	<p>(10C)</p>  <p>CLICK</p>

Visit www.products.danfoss.com for further technical data
 Para más información, visite www.products.danfoss.es
 Rendez-vous sur le site www.products.danfoss.fr pour plus de données techniques