

Motion detector - Professional Line

IS 2180 ECO

black

EAN 4007841 034702



infrared sensor
180°



max. 12 m

2000w

2000 W max.
(LED-ready)



IP54



Ideal 2 m



2 - 2000 lux



5 sec - 15 min



energy saving



CE

5 JAHRE
HERSTELLER
GARANTIE

manufacturer's
warranty
steinel-professional.de/garantie

Function description

Attractive, clever, efficient. Infrared motion detector IS 2180 ECO for outdoors, ideal for building fronts and properties, medium-sized business and outdoor spaces, ideal installation height 2 m, 180° angle of coverage, reach. 12 m max. or 5 m max. (tangential), selectable time and twilight threshold, manual override, including corner wall mount for external and internal corner.

IS 2180 ECO

black

EAN 4007841 034702

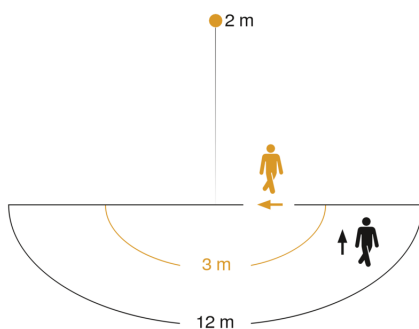
Technical specifications

Type	Motion detectors
Dimensions (L x W x H)	55 x 78 x 120 mm
Mains power supply	230 – 240 V / 50 Hz
Sensor Technology	passive infrared
Application, place	Outdoors
Installation site	wall, corner
Installation	Surface wiring
Mounting height	1,80 – 4,00 m
Reach, radial	$r = 1.5 \text{ m} (4 \text{ m}^2) / r = 3 \text{ m} (14 \text{ m}^2)$
Reach, tangential	$r = 5 \text{ m} (39 \text{ m}^2) / r = 12 \text{ m} (226 \text{ m}^2)$
Detection angle	180 °
Angle of aperture	90 °
Switching zones	504 switching zones
Optimum mounting height	2 m
Mechanical scalability	No
Sneak-by guard	Yes
Capability of masking out individual segments	Yes
Electronic scalability	No
Twilight setting TEACH	No
Twilight setting	2 – 2000 lx
Time setting	5 s – 15 Min.
Switching output 1, resistive	2000 W

Switching output 1, number of LEDs / fluorescent lamps

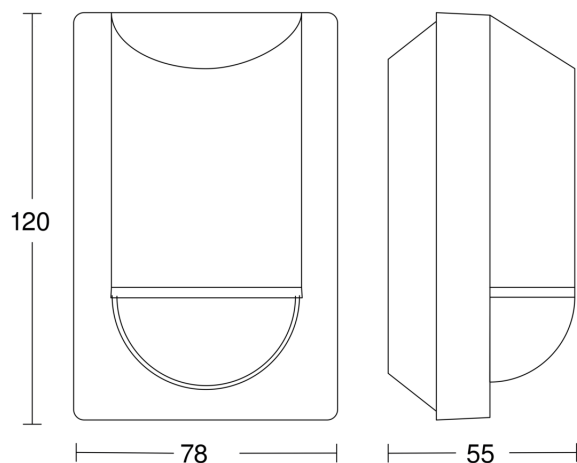
Fluorescent lamps, uncorrected	500 VA
Fluorescent lamps, series-corrected	900 VA
Fluorescent lamps, parallel-corrected	500 VA
Capacitive load in μF	132 μF
Constant-lighting control	No
Basic light level function	No
Settings via	Potentiometers
With remote control	No
Interconnection	Yes
Type of interconnection	Master/master
IP-rating	IP54
Material	Plastic
Ambient temperature	-20 – 50 °C
Application, room	outdoors, front door, all round the building, terrace / balcony, courtyard & driveway
Colour	black
Colour, RAL	9005
IDs, certificates	VDE
Manufacturer's Warranty	5 years
Version	black
PU1, EAN	4007841034702

Detection Zone



Mögliche Montagehöhe: 1,80 m – 4,00 m
 Orange: radial
 Schwarz: tangential

Dimension Drawing

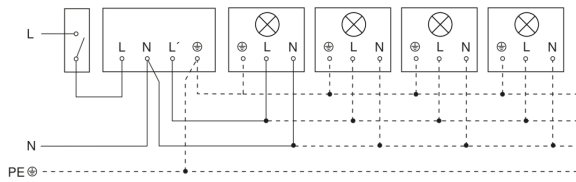


IS 2180 ECO

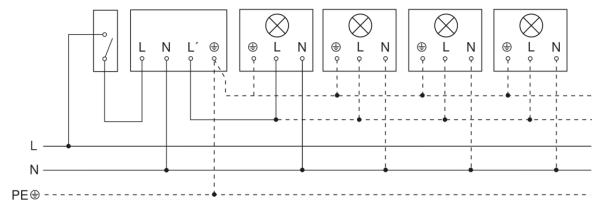
black

EAN 4007841 034702

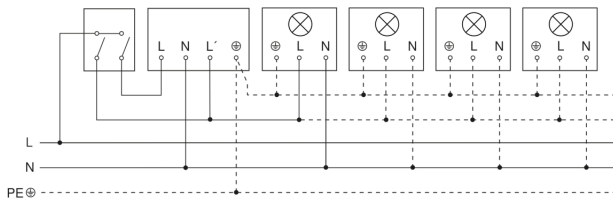
Light without neutral conductor



Light with neutral conductor



Connection using two-circuit switch for manual and automatic operation



Connection via a two-way switch for manual override and automatic operation

