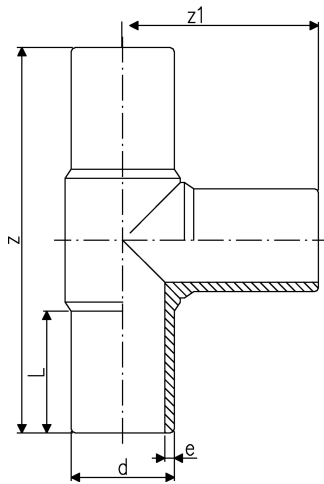




**ELGEF Plus Tee 90° equal PE100**  
**d20-800mm / SDR11 / Long version**

- 10 bar Gas / 16 bar Water
- \* Machined with welded pipes
- \*\* FM 1613 approved - PN 15



d	DN	PN	SDR	Code	Weight	z	z1	L	e	
(mm)	(mm)	(bar)			(kg)	(mm)	(mm)	(mm)	(mm)	
20	15	16	11	<b>753 201 006</b>	0.038	150	75	52	3.0	
25	20	16	11	<b>753 201 007</b>	0.054	160	80	52	3.0	
32	25	16	11	<b>753 201 008</b>	0.077	170	85	54	3.0	
40	32	16	11	<b>753 201 009</b>	0.130	190	95	57	3.7	
50	40	16	11	<b>753 201 010</b>	0.214	210	105	63	4.6	
63	50	16	11	<b>753 201 011</b>	0.376	230	115	65	5.8	
75	65	16	11	<b>753 201 012</b>	0.599	264	132	72	6.8	
**	90	80	16	11	<b>753 201 013</b>	1.021	300	150	81	8.2
**	110	100	16	11	<b>753 201 014</b>	1.612	330	165	86	10.0
**	125	100	16	11	<b>753 201 015</b>	2.420	366	183	92	11.4
**	140	125	16	11	<b>753 201 016</b>	3.090	393	193	92	12.7
**	160	150	16	11	<b>753 201 017</b>	4.403	420	210	102	14.6
**	180	150	16	11	<b>753 201 018</b>	6.014	460	230	107	16.4
**	200	200	16	11	<b>753 201 019</b>	8.480	500	250	117	18.2
**	225	200	16	11	<b>753 201 020</b>	11.507	540	270	122	20.5
**	250	250	16	11	<b>753 201 001</b>	14.099	575	288	130	22.7
**	280	250	16	11	<b>753 200 902</b>	18.670	615	308	139	25.4
**	315	300	16	11	<b>753 200 903</b>	26.150	695	346	150	28.6
	355	350	16	11	<b>753 200 024</b>	38.900	820	410	170	32.3
	400	400	16	11	<b>753 200 025</b>	53.400	900	450	190	36.4
	450	450	16	11	<b>753 200 026</b>	73.400	980	490	200	40.9
	500	500	16	11	<b>753 200 027</b>	98.500	1070	535	220	45.5
	560	600	16	11	<b>753 200 028</b>	142.000	1200	600	245	50.9
	630	600	16	11	<b>753 200 029</b>	205.500	1300	650	265	57.3
*	710	700	16	11	<b>753 201 120</b>	318.698	1720	860	450	64.5
*	800	800	16	11	<b>753 201 121</b>	409.142	1780	890	450	72.6

The technical data are not binding. They neither constitute expressly warranted characteristics nor guaranteed properties nor a guaranteed durability. They are subject to modification. Our General Terms of Sale apply.

Georg Fischer Piping Systems Ltd, Postfach, CH-8201 Schaffhausen/Switzerland

Phone +41 -(0)52-631 1111

e-mail: [info.ps@georgfischer.com](mailto:info.ps@georgfischer.com)

Internet: <http://www.gfps.com>