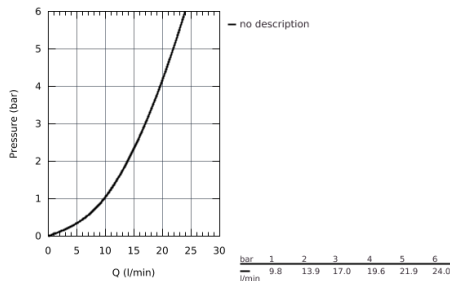
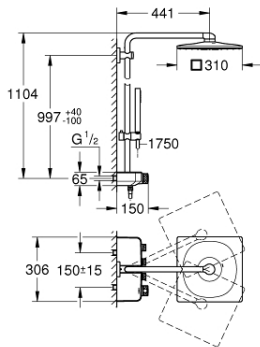


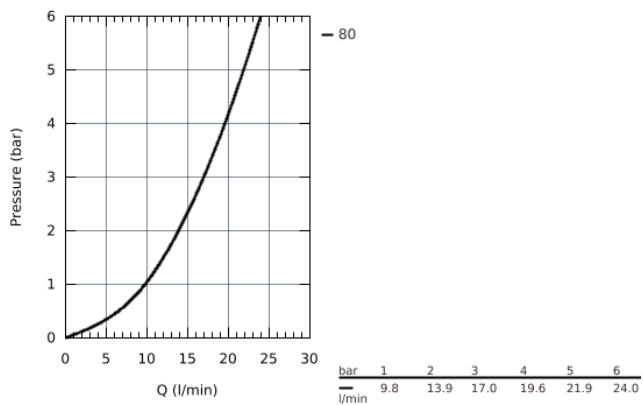
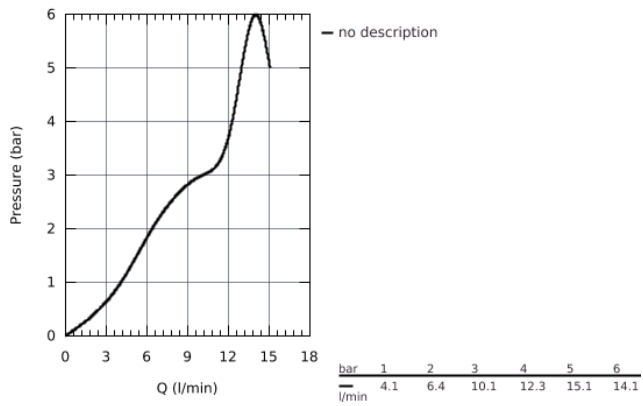
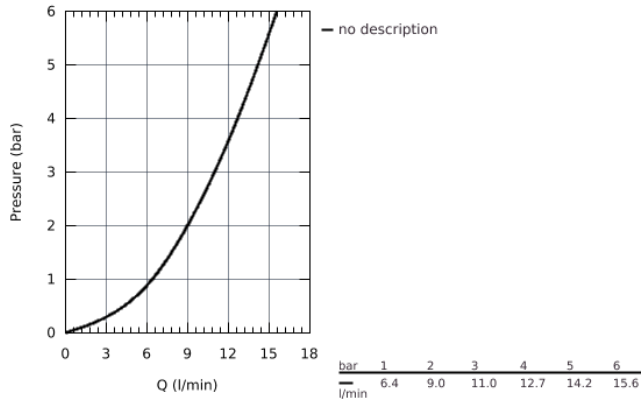
26 508 LS0 SHOWER SYSTEM WITH THERMOSTAT FOR WALL MOUNTING



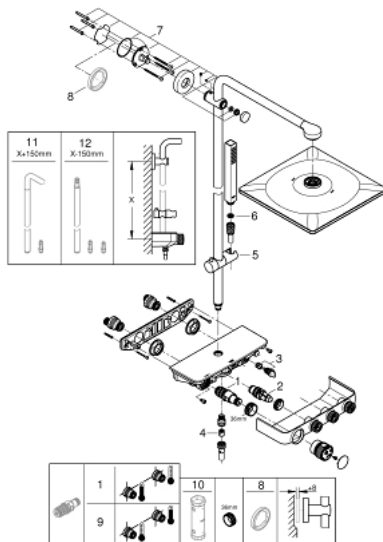
PRODUCT DESCRIPTION

- consisting of:
 - horizontal 450 mm shower arm
 - upper bracket adjustable for minimal adaption to existing drilling holes
 - exposed SmartControl thermostat
 - allows change between:
 - head shower Rainshower SmartActive 310 Cube, spray plate moon white
 - GROHE PureRain and Centered Jet spray
 - hand shower Euphoria Cube Stick (27 698 000)
 - adjustable in height with gliding element
 - Silverflex shower hose 1750 mm (28 388 000)
- **GROHE DreamSpray** perfect spray pattern
- **GROHE StarLight** chrome finish
- **GROHE CoolTouch** no risk of scalding
- **GROHE TurboStat** compact cartridge with wax thermoelement
- GROHE ProGrip with knurl structure
- **GROHE EcoJoy** technology for less water and perfect flow
 - - GROHE SafeStop at 38°C
 - **GROHE SafeStop Plus** optional temperature limiter at 43°C included
- **GROHE SmartControl** push for ON-OFF, turn for volume adjustment from EcoJoy to full flow
- integrated **GROHE EasyReach** shower tray
- **SpeedClean** anti-lime system
- **Inner WaterGuide** for a longer life
- **Twistfree** to prevent hose from twisting
- **suitable for instantaneous heaters from 18 kW/h**
- minimum flow rate 7 l/min.
- min. recommended pressure 1.0 bar

26 508 LS0 SHOWER SYSTEM WITH THERMOSTAT FOR WALL MOUNTING



26 508 LS0 **SHOWER SYSTEM WITH THERMOSTAT FOR WALL MOUNTING**



SPARE PARTS

- 1: Thermostatic compact cartridge 1/2" (Order-nr. 47439000)
 - 2: Cartridge (Order-nr. 48297000)
 - 3: Non-return valve (Order-nr. 49069000)
 - 4: Non-return valve (Order-nr. 08565000)
 - 5: Glide element (Order-nr. 48177000)
 - 6: Dirt strainer (Order-nr. 0700200M)
 - 7: Shower rail holder (Order-nr. 48279000)
 - 8: Compensation disc (Order-nr. 27180000)*
 - 9: GROHE TurboStat cartridge 1/2" (Order-nr. 47175000)*
 - 10: Socket spanner (Order-nr. 49059000)*
 - 11: Shower system pipe for retrofitting (Order-nr. 48497000)*
 - 12: Shower system pipe for retrofitting (Order-nr. 48498000)*
- * Optional accessories