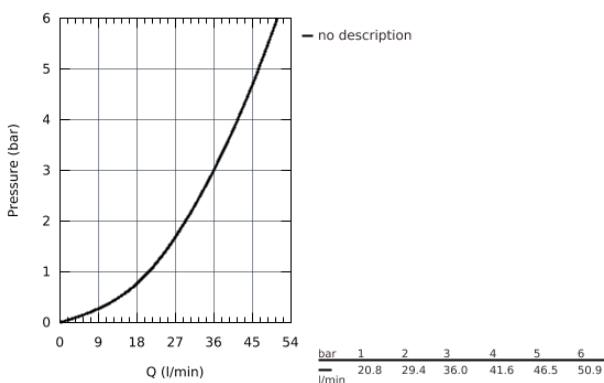
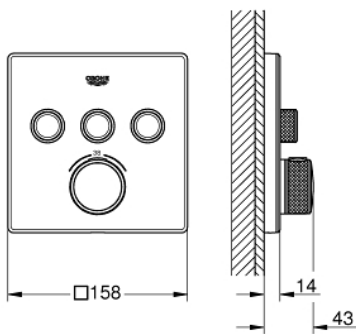


## 29 157 LS0 THERMOSTAT FOR CONCEALED INSTALLATION WITH 3 VALVES

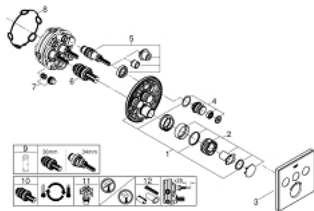


### PRODUCT DESCRIPTION

- set for final installation for
- GROHE Rapido SmartBox 35 600
- metal wall escutcheon with **GROHE QuickFix** (covered escutcheon and shaft sealing, covered fixing), retroactively 6° adjustable
- **GROHE StarLight** finish
- **GROHE SmartControl** push for ON-OFF, turn for volume adjustment from EcoJoy to full flow
- exchangeable symbols
- **GROHE TurboStat** compact cartridge with wax thermoelement
- GROHE ProGrip with knurl structure
- **GROHE SafeStop** at 38°C
- 
- **GROHE SafeStop Plus** optional temperature limiter at 43°C or 46°C included
- built-in non return valves and dirt strainers
- multiple outlets can be run simultaneously
- cover plate in moon white acrylic glass
- without roughing-in-set
- flow performance:
  - outlet A = 23 l/min
  - outlet B = 27 l/min
  - outlet C = 23 l/min
  - outlet A + B = 33 l/min
  - outlet A + B + C = 36 l/min



## 29 157 LS0 THERMOSTAT FOR CONCEALED INSTALLATION WITH 3 VALVES



### SPARE PARTS

- 1: mounting plate (Order-nr. 48362000)
  - 2: Temperature control handle (Order-nr. 49029000)
  - 3: escutcheon (Order-nr. 49043LS0)
  - 4: Push button (Order-nr. 48361000)
  - 5: Cartridge (Order-nr. 48359000)
  - 6: Thermostatic compact cartridge 3/4" (Order-nr. 49028000)
  - 7: Non-return valves (Order-nr. 47979000)
  - 8: Seal (Order-nr. 48360000)
  - 9: Socket spanner (Order-nr. 49059000)\*
  - 10: GROHE TurboStat cartridge 3/4" (Order-nr. 49003000)\*
  - 11: Service stops (Order-nr. 1405300M)\*
  - 12: Universal extension set (Order-nr. 14048000)\*
- \* Optional accessories