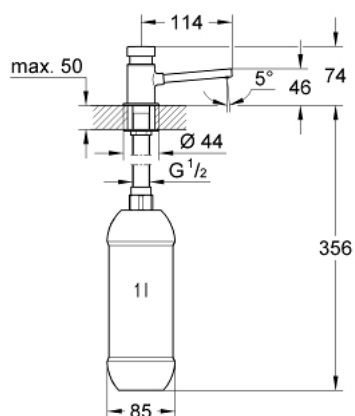


36 194 000 SOAP DISPENSER

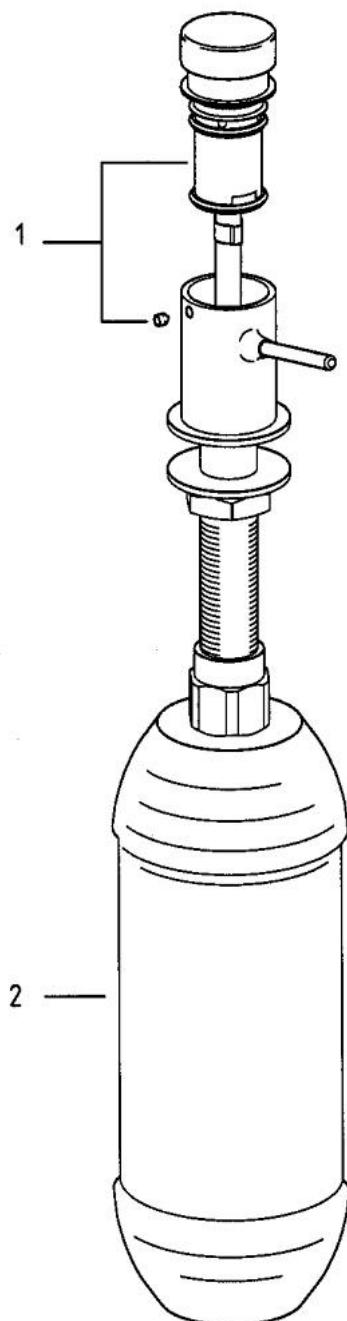


PRODUCT DESCRIPTION

- pillar tap with push-button,
- for liquid soaps
- projection 113 mm
- for tap hole drillings 22 - 30 mm
- storage bin 1 l.
- **GROHE StarLight** finish



36 194 000 SOAP DISPENSER



SPARE PARTS

- 1: Pump device (Order-nr. 43898000)
- 2: Soap dish (Order-nr. 43897000)