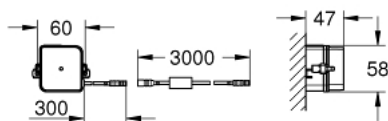
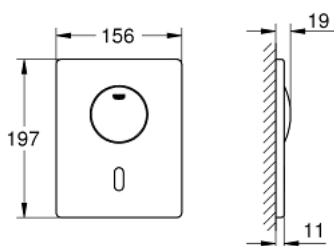


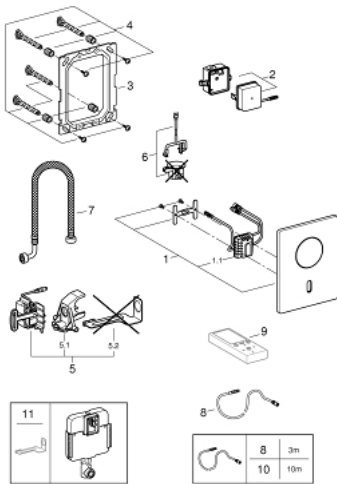
## 37 419 000 TECTRON SKATE INFRA-RED ELECTRONIC FOR WC FLUSHING CISTERN



### PRODUCT DESCRIPTION

- with additional manual actuation
- with infrared sensor for bi-directional communication for monitoring, configuration and service purpose
- with transformer 100-230 V AC, 50-60 Hz, 6 V DC
- for single flush actuation
- for flushing cistern GD 2
- servo motor
- concealed installation
- hidden fixing screws
- front plate 156 x 197 mm
- 7 pre-set programs:
  - auto flush
  - cleaning mode
  - pre-flush on/off
- additional functions and precise settings by remote control 36 407
- adjustable flush (3 - 9 l) by hand and remote
- CE approved

## 37 419 000 TECTRON SKATE INFRA-RED ELECTRONIC FOR WC FLUSHING CISTERN



### SPARE PARTS

- 1: Top plate with electronic control (Order-nr. 42440000)
  - 1.1: Electronic (Order-nr. 42439000)
  - 2: Switching power supply (Order-nr. 42470000)
  - 3: Mounting frame (Order-nr. 42736000)
  - 4: Fixing set (Order-nr. 4215800M)
  - 5: Servo motor (Order-nr. 43281000)
  - 5.1: Support device (Order-nr. 42246000)
  - 5.2: Motor support device (Order-nr. 43617000)
  - 6: mounting set (Order-nr. 43306000)
  - 7: mounting set (Order-nr. 43307000)
  - 8: Extension cable (Order-nr. 36221000)
  - 9: Remote control (Order-nr. 36407001)\*
  - 10: Extension cable (Order-nr. 36222000)\*
  - 11: Motor support device (Order-nr. 43617000)\*
- \* Optional accessories