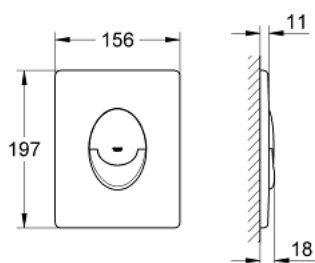


38 505 P00 SKATE AIR FLUSH PLATE

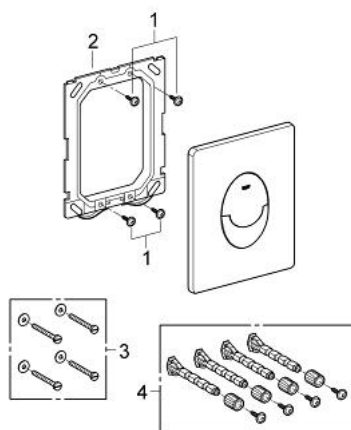


PRODUCT DESCRIPTION

- for dual flush or start & stop actuation
- for pneumatic discharge valve AV1
- vertical installation
- 156 x 197 mm
- made of ABS
- **GROHE StarLight** finish
- **GROHE EcoJoy** technology for less water and perfect flow



38 505 P00 SKATE AIR FLUSH PLATE



SPARE PARTS

- 1: Screw (Order-nr. 6636200M)
 - 2: Mounting frame (Order-nr. 43207000)
 - 3: Fixing set (Order-nr. 4308500M)*
 - 4: Fixing set (Order-nr. 4215800M)*
- * Optional accessories