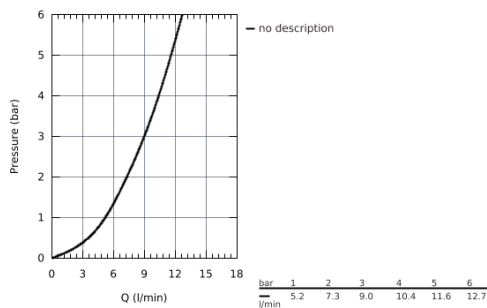
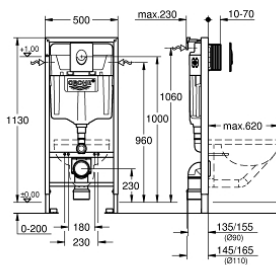


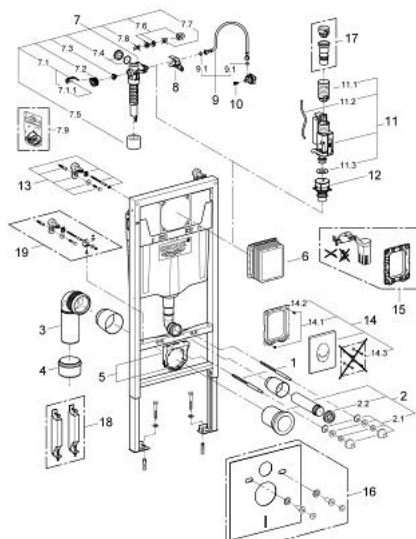
38 722 001 RAPID SL 3-IN-1 SET FOR WC, 1.13 M INSTALLATION HEIGHT

PRODUCT DESCRIPTION

- with flushing cistern GD 2, 6 - 9 l
- consisting of:
 - Rapid SL element for WC (38 528 001)
 - Skate Air flush plate, alpine white, vertical installation (38 505 SH0)
 - Rapid SL wall brackets (38 558 00M)



38 722 001 RAPID SL 3-IN-1 SET FOR WC, 1.13 M INSTALLATION HEIGHT



SPARE PARTS

- 1: Threaded bolt, 2 pcs. for Uniset (Order-nr. 4276400M)
- 2: WC inlet and outlet connecting set (Order-nr. 37311K00)
- 2.1: Basin fastening (Order-nr. 43511SH0)
- 2.2: Connector (Order-nr. 37119000)
- 3: PP-outlet bend Ø 90 mm (Order-nr. 42327000)
- 4: Reducer (Order-nr. 42242000)
- 5: Support for outlend bend (Order-nr. 42243000)
- 6: Inspection shaft (Order-nr. 66791000)
- 7: Filling valve (Order-nr. 37095000)
- 7.1: Lever (Order-nr. 43734000)
- 7.1.1: Seal (Order-nr. 4377000M)
- 7.2: Valve head (Order-nr. 43536000)
- 7.3: Membrane (Order-nr. 4375800M)
- 7.4: Screw cap (Order-nr. 43735000)
- 7.5: Valve float, 5 pcs. (Order-nr. 4379100M)
- 7.6: Dummy plug and escutcheon cap (Order-nr. 37125000)
- 7.7: Compression nut (Order-nr. 43258000)
- 7.8: Throttle (Order-nr. 42356000)
- 7.9: Set of seals (Order-nr. 43722000)*
- 8: Support device (Order-nr. 42246000)
- 9: Tube (Order-nr. 42233000)
- 9.1: Sealing washer (Order-nr. 0319100M)
- 10: Headpart (Order-nr. 42385000)
- 11: Dual Flush discharge valve AV1 (Order-nr. 42320000)
- 11.1: Extension for overflow pipe (Order-nr. 42313000)
- 11.2: Pneumatic hose (Order-nr. 42319000)
- 11.3: Seal (Order-nr. 42310000)
- 12: Valve seat for GD2 (Order-nr. 42315000)
- 13: Rapid SL wall brackets (Order-nr. 3855800M)
- 14: Wall plate (Order-nr. 38505SH0)
- 14.1: Screw (Order-nr. 6636200M)
- 14.2: Mounting frame (Order-nr. 43207000)
- 14.3: Fixing set (Order-nr. 4308500M)*
- 14.4: Fixing set (Order-nr. 4215800M)*
- 15: GROHE Fresh retro-fit set (Order-nr. 38796000)*
- 16: Set for noise protection (Order-nr. 37131000)*
- 17: 4.5 l adapter for GD2 (Order-nr. 42333000)*
- 18: Accessory (Order-nr. 38779000)*
- 19: Rapid SL mounting angle (Order-nr. 38733000)*

* Optional accessories