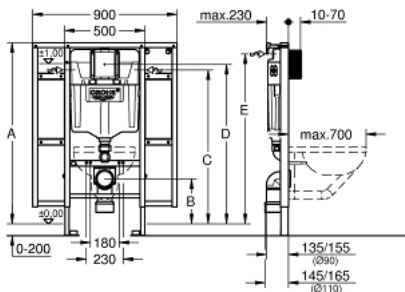


39 140 000 RAPID SL ELEMENT FOR WC, 1.13 M INSTALLATION HEIGHT WITH FIXING ELEMENT FOR BACK SUPPORT AND SUPPORT RAILS

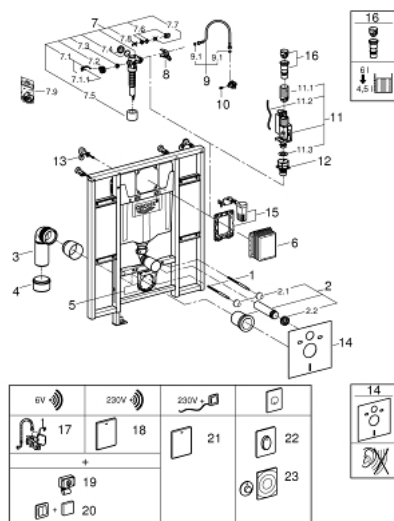


	♿	
A	1080	1130
B	230	280
C	910	960
D	950	1000
E	1010	1060

TOOTE KIRJELDUS

- with flushing cistern GD 2, 6 - 9 l
- for the disabled
- for WC bowls 70 cm projection
- for on-the-wall installations or studded walls
- powder coated steel frame, self-supporting
- for dry-cladding, completely pre-assembled
- with fixed connections
- quick adjustment, lockable
- fixing material
- TÜV approved
- 2 WC fixing bolts
- 4 wall brackets
- fixing device for ceramic
- distance of fixing bolts 180/230 mm
- PP outlet bend Ø 90 mm
- depth adjustable
- PP reducer Ø 90/110 mm
- inlet and outlet connecting set
- flushing cistern GD 2, 6 - 9 l, containing following features:
 - adjustment ex factory 6 l and 3 l
 - pneumatic discharge valve offering 3 modes of operation: dual flush or start/stop or single flush
- water supply from left/right or back
- low noise (group I acc. to German Noise Specification)
- insulated against condensation
- ½" water supply connection including integrated angle valve and push fit flexible hose union
- no tools required for the installation of the inspection shaft incl. protection during construction phase
- including wall brackets 38 558 00M for on-the-wall installation
- for mounting of small flush plates please order revision shaft 40 911 000 (sold separately)

39 140 000 RAPID SL ELEMENT FOR WC, 1.13 M INSTALLATION HEIGHT WITH FIXING ELEMENT FOR BACK SUPPORT AND SUPPORT RAILS



VARUOSAD, juuni 2014 – nüüd

- 1: Threaded bolt (Tellimuse number 4276400M)
- 2: WC inlet and outlet connecting set (Tellimuse number 37311K00)
- 2.1: Basin fastening (Tellimuse number 43511SH0)
- 2.2: Connector (Tellimuse number 37119000)
- 3: PP-outlet bend \varnothing 90 mm (Tellimuse number 42327000)
- 4: Reducer (Tellimuse number 42242000)
- 5: Support for outlet bend (Tellimuse number 42243000)
- 6: Inspection shaft (Tellimuse number 66791000)
- 7: Filling valve (Tellimuse number 37095000)
- 7.1: Lever (Tellimuse number 43734000)
- 7.1.1: Seal (Tellimuse number 4377000M)
- 7.2: Valve head (Tellimuse number 43536000)
- 7.3: Membrane (Tellimuse number 4375800M)
- 7.4: Screw cap (Tellimuse number 43735000)
- 7.5: Valve float, 5 pcs. (Tellimuse number 4379100M)
- 7.6: Set of seals (Tellimuse number 43722000)*
- 8: Support device (Tellimuse number 42246000)
- 9: Tube (Tellimuse number 42233000)
- 9.1: Sealing washer (Tellimuse number 0319100M)
- 10: Headpart (Tellimuse number 42385000)
- 11: Dual Flush discharge valve AV1 (Tellimuse number 42320000)
- 11.1: Extension for overflow pipe (Tellimuse number 42313000)
- 11.2: Pneumatic hose (Tellimuse number 42319000)
- 11.3: Seal (Tellimuse number 42310000)
- 12: Valve seat for GD2 (Tellimuse number 42315000)
- 13: Wall brackets (Tellimuse number 3855800M)
- 14: Set for noise protection (Tellimuse number 37131000)*
- 15: Retro-fit set (Tellimuse number 38796000)*
- 16: 4.5 l adapter for GD2 (Tellimuse number 42333000)*
- 17: Radio electronic (Tellimuse number 39141000)*
- 18: Radio electronic (Tellimuse number 38759SD0)*
- 19: Radar 868.4 MHz (Tellimuse number 38758000)*
- 20: Radio transmitter (Tellimuse number 39142000)*
- 21: WC control for manual remote actuation (Tellimuse number 38934SD0)*
- 22: Flush plate (Tellimuse number 38564000)*
- 23: Pneumatic actuation (Tellimuse number 37059000)*

* Lisatarvikud