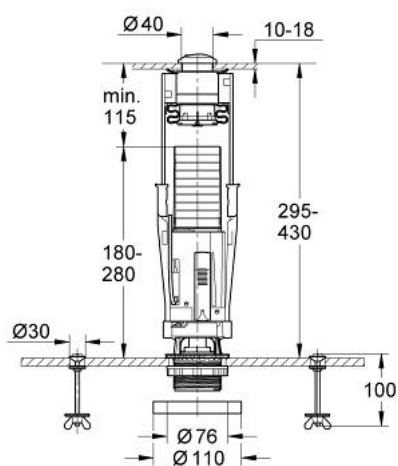


42 297 PI0 **ECO-DISCHARGE VALVE**

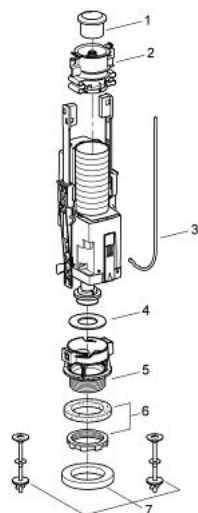


PRODUCT DESCRIPTION

- dual flush discharge valve AV1
- push button actuation Ø 40 mm with Eco-knob
- with fixing device for lid
- **GROHE EcoJoy** technology for less water and perfect flow
- fixing set with 100 mm screws and cellular rubber joint 100 mm dia.



42 297 P10 ECO-DISCHARGE VALVE



SPARE PARTS

- 1: Push button and escutcheon (Order-nr. 42311P10)
- 2: Actuation (Order-nr. 42312000)
- 3: Pneumatic hose (Order-nr. 42319000)
- 4: Seal (Order-nr. 42310000)
- 5: Short valve seat with lid fixation (Order-nr. 42317000)
- 6: Seal (Order-nr. 43745000)
- 7: Fixation (Order-nr. 43741000)