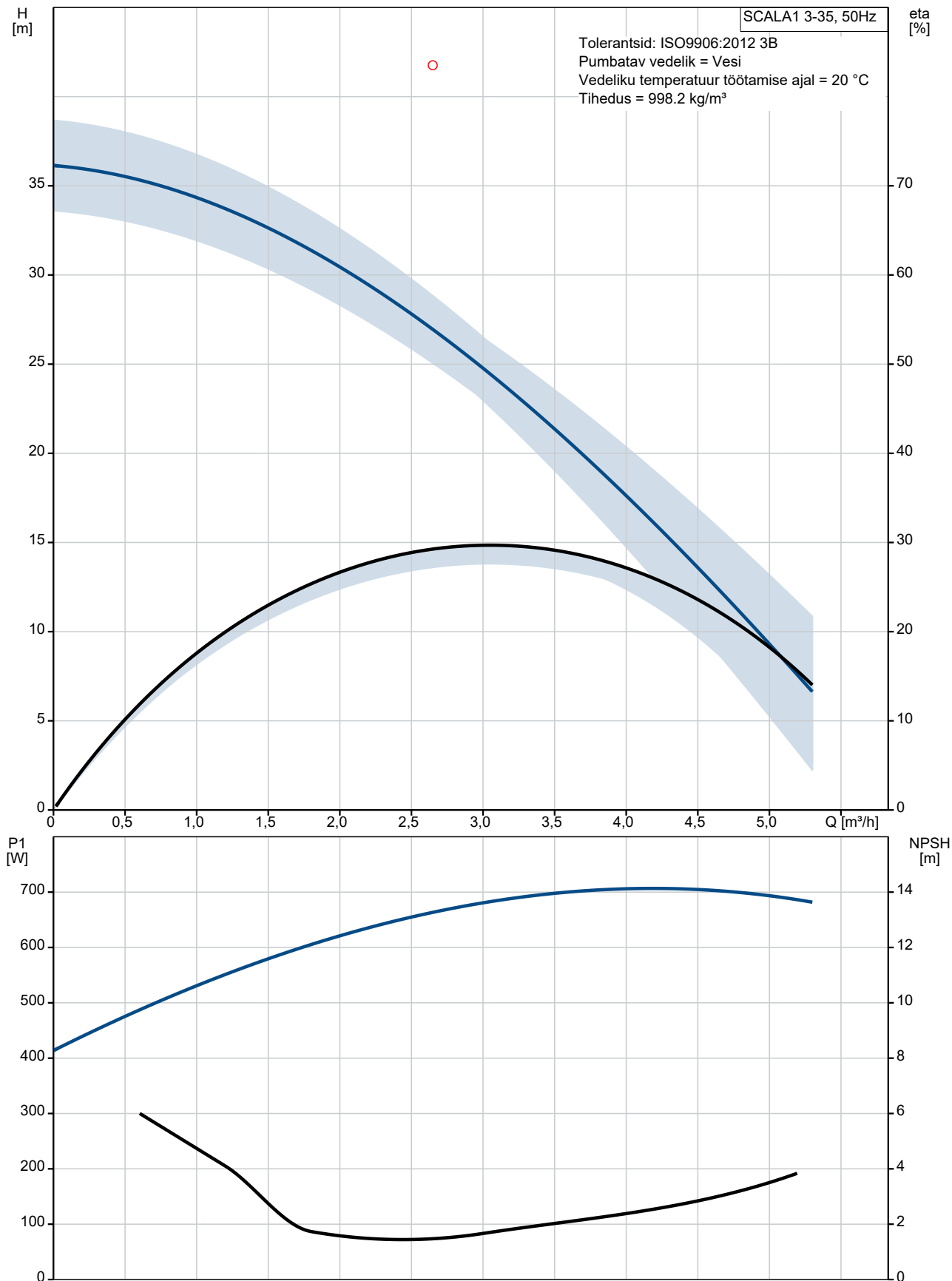
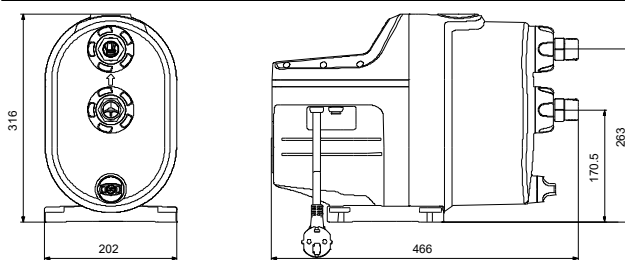
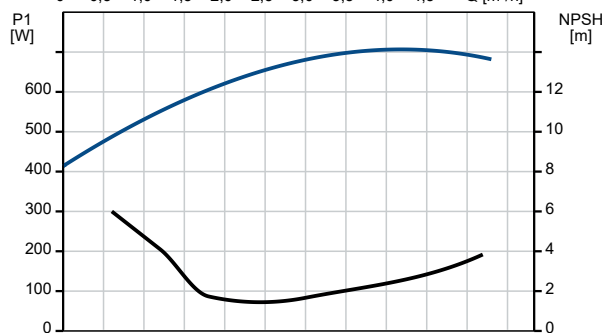
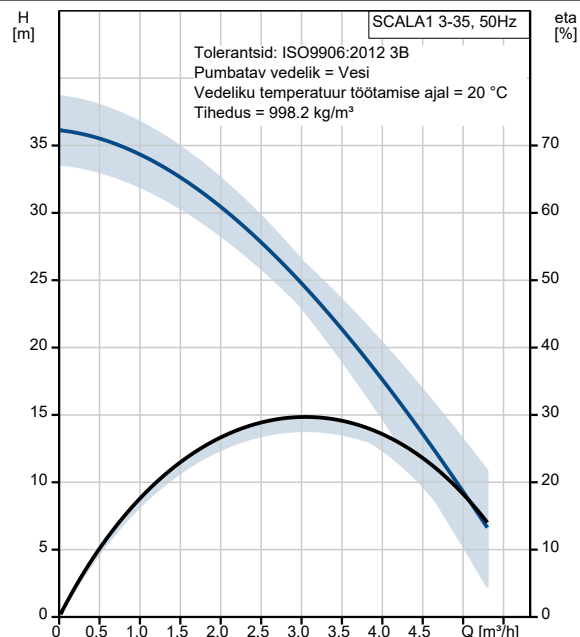


Kogus	Kirjeldus
1	<p data-bbox="231 336 750 369">Toote nimetus: SCALA1 3-35</p>  <p data-bbox="231 660 494 683">Toote kood:: 99530404</p> <p data-bbox="231 716 1396 772">The Grundfos SCALA1 is a self-priming, multistage pump, that incorporates all the components of a pressure booster into a compact composite enclosure.</p> <p data-bbox="231 806 1428 918">As it is self-priming, the SCALA1 can pump water from a level below the pump. Provided it is filled with water, the pump can lift water from a depth of 8 m in less than 5 minutes. This facilitates easy installation and start-up of the pump and provides more reliable water supply in installations where there is a risk of dry running and leakages in suction hose or pipes.</p> <p data-bbox="231 952 1436 1008">SCALA1 can communicate with Grundfos GO app via built in Bluetooth, which enables detailed pump monitoring and high customization options, making this pump a good fit for every application.</p> <p data-bbox="231 1041 877 1064">SCALA1 incorporates advanced protection features such as:</p> <ul data-bbox="263 1075 1388 1187" style="list-style-type: none">- Dry running protection that will automatically stop the pump in case of water shortage- Cycling protection which will prevent pump starting frequently in case of minor leakages in installation- Max runtime protection can stop the pump after a desired period of continuous operation, preventing potential damage due flooding in case of pipe breakages. <p data-bbox="231 1220 1436 1276">The pump has a built-in motor protection that will stop the pump if exposed to excessive temperature due to high ambient temperature, in case of seizure or overload, thus preventing a motor burnout.</p> <p data-bbox="231 1310 1444 1355">With Grundfos GO you can easily setup SCALA1 as a Twin booster system, operating as duty/stand by as well as duty/assist. It is also possible to add external input control and schedule a pump operation via calendar function.</p> <p data-bbox="231 1422 1452 1467">SCALA1 require no maintenance, but it is recommended to keep the pump clean, check the non-return valves and keep the ventilation holes free of dust.</p>

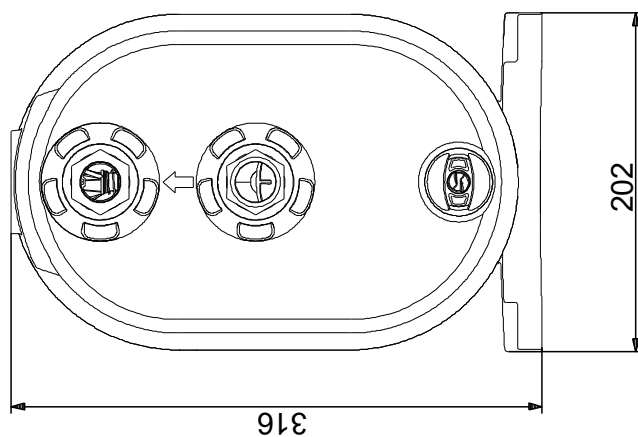
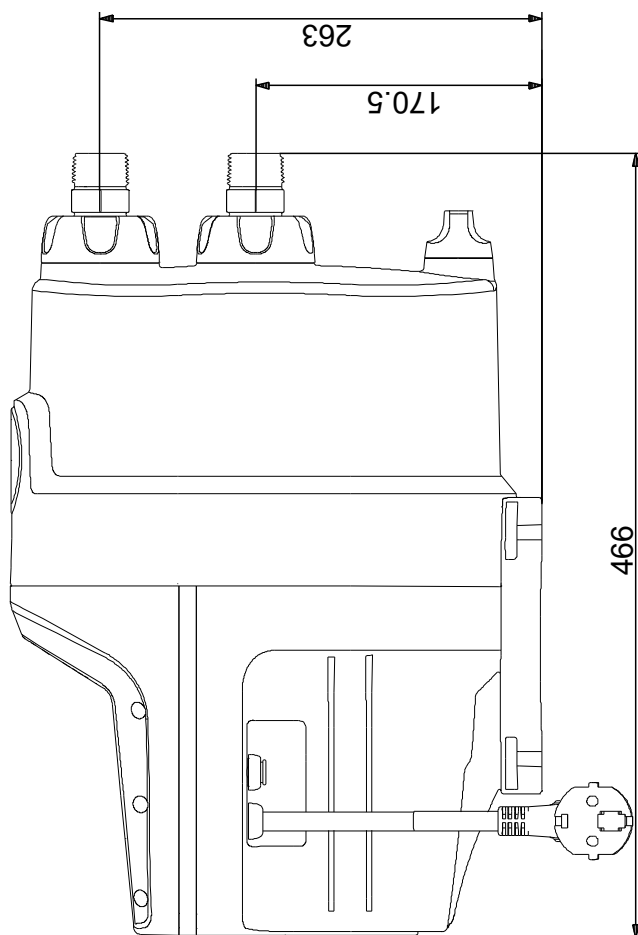
99530404 SCALA1 3-35 50 Hz



Kirjeldus	Väärtus
Üldteave:	
Toote nimi:	SCALA1 3-35
Toote nr.:	99530404
EAN number:	5713830591581
Hind:	€ 437
Tehnilised:	
Nimijõudlus:	3.72 m³/h
Tõstekõrgus nom.:	20 m
Tõstekõrgus maks.:	36 m
Võllitihendi kood. 1: Tüüp 2: Pöörlev tihendi pind 3: Stats. pind 4: Sekundaartihend:	BVBP
Approvals:	CE,EAC,AAA
Approvals for drinking water:	WRAS,ACS
Karakt. tolerantsid:	ISO9906:2012 3B
Mudel:	A
Käivitusrõhk:	1.5 bar
Materjalid:	
Pumbapesa:	Composite
Tööratas:	Composite
Paigaldamine:	
Ümbritseva temperat. vahemik:	0 .. 55 °C
Maks. töösurve:	8 bar
Maximum permissible inlet pressure:	4 bar
Type of inlet connection:	R
Type of outlet connection:	R
Imiava mõõt:	1 inch
Surveava mõõt:	1 inch
Pressure rating for connection:	PN 8
Vedelik:	
Pumbatav vedelik:	Vesi
Vedeliku temperatuurivahemik:	0 .. 45 °C
Valitud vedeliku temperatuur:	20 °C
Tihedus:	998.2 kg/m³
Elektriandmed:	
Length of power cable:	1.5 m
P1 maks.:	720 W
Rated power - P2:	0.45 kW
Vooluvõrgu sagedus:	50 Hz
Nimipinge:	1 x 230 V
Maximum current consumption:	3.27 A
Kaitseklass (IEC 34-5):	X4D
Insulation class (IEC 85):	F
Toitepistmik:	Type E/F (CEE7/7)
Power plug:	Schuko plug
Muu:	
Nettokaal:	11.5 kg
Bruttokaal:	13.5 kg
Tarnemaht:	0.046 m³
Säilitustemperatuuri vahemik:	-40 .. 70 °C
Finnish LVI No.:	4732547
Päritoluriik:	HU
Tollitariifi nr:	84137075



99530404 SCALA1 3-35 50 Hz



Märkus! Kõik mõõdud on [mm] kui pole teisiti tähistatud.
Lahtiütlus: see lihtsustatud mõõtjoonis ei näita kõiki detaile.