
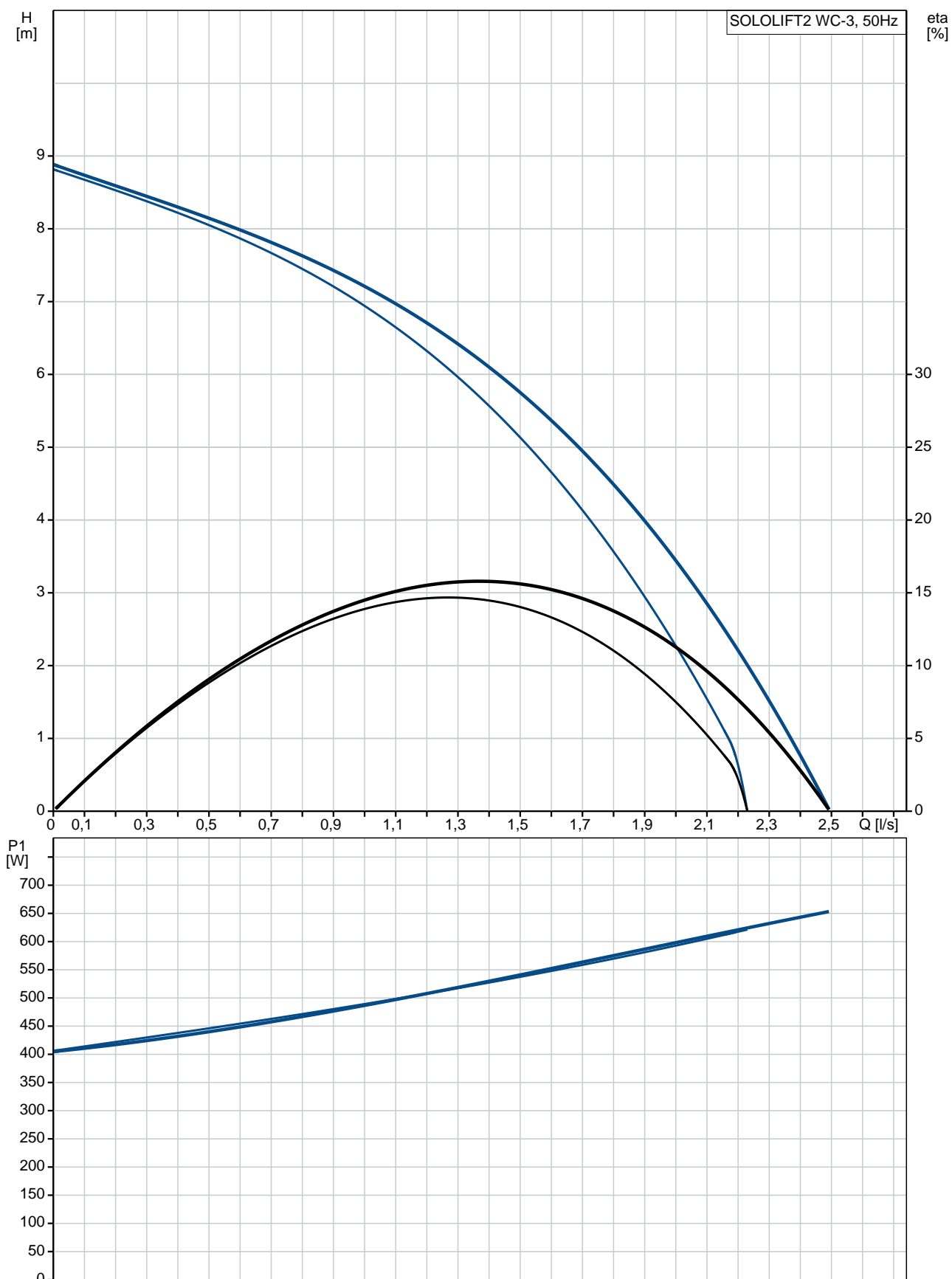


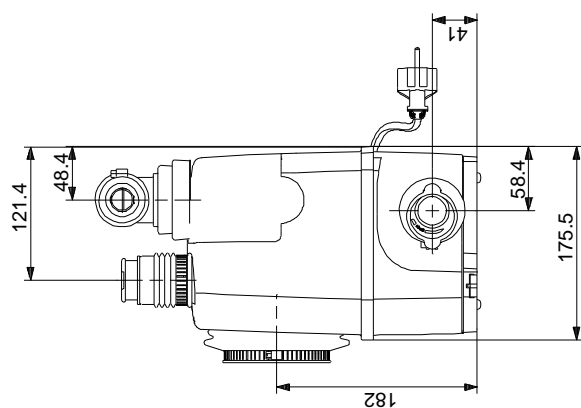
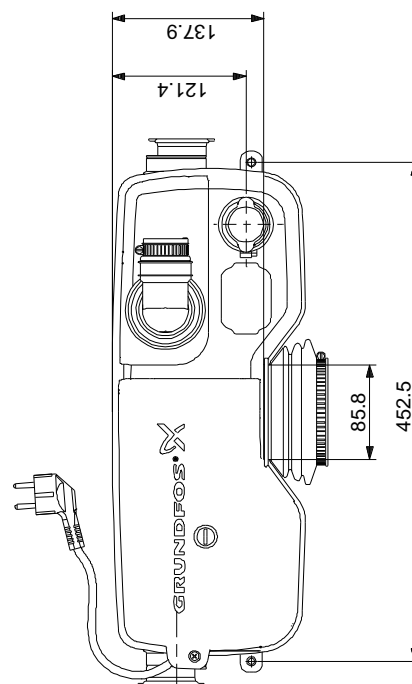
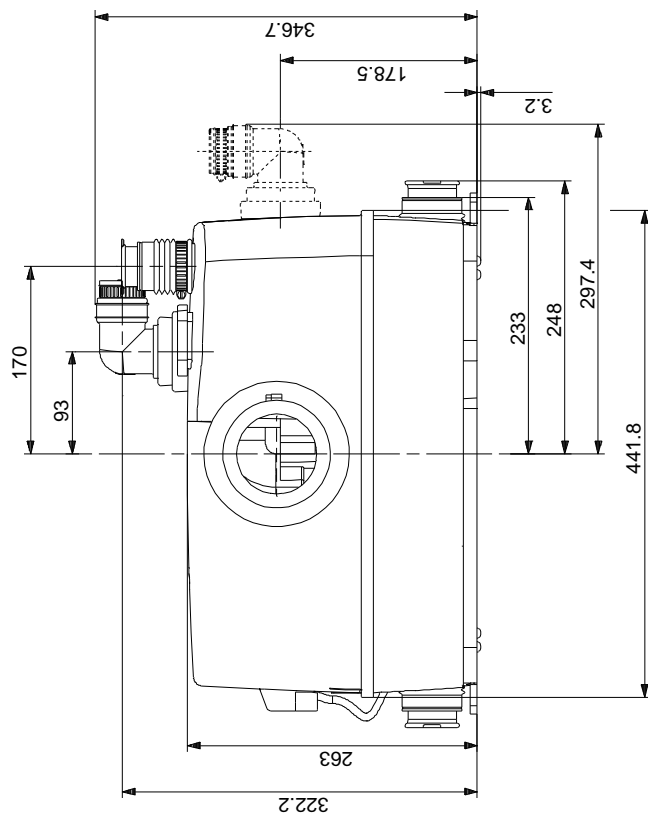
Kogus	Kirjeldus										
1	<p><b>SOLOLIFT2 WC-3</b></p>  <p>Märkus! Reaalse toote väljanägemine võib erineda pildil kujutatust.</p> <p>Toote kood:: <a href="#">97775315</a></p> <p>Sololift2 WC-3 is a small, compact automatic lifting station suitable for pumping of wastewater off places in private dwellings where wastewater cannot be led directly to the sewer by means of a natural downward slope.</p> <p>Sololift2 WC-3 is suitable for pumping wastewater from a toilet containing toilet paper and faeces with additional connections on the lid and to the sides of the tank for e.g. washbasin, shower or bidet.</p> <p>The pumping of liquids containing other material may cause faults and limit the scope of guarantee.</p> <p>Sololift2 WC-3 is typically used to dewater:</p> <ul style="list-style-type: none"><li>• toilet, washbasin, shower and bidet in basements below sewer level, in connection with the renovation or modernisation of existing buildings, where the location may be remote from the main soil pipe so that a natural slope cannot be established.</li></ul> <p>Extremely low switching levels for lowest construction heights, advantageously in case of connection of a shower receptor.</p> <p>The compact lifting station is equipped with</p> <ul style="list-style-type: none"><li>- Cable with or without plug (see technical data)</li><li>- Horizontal or vertical fastening possibility of discharge hose connector with several adaptors for pipes with Ø22-40mm</li></ul> <p>-Integrated non return valve</p> <ul style="list-style-type: none"><li>- Dry and high performance motor unit incl. thermal protection, pressure switch and controller</li><li>- DN100 toilet connection hose</li><li>- Two flexible connectors for inlet (adjustable in height) of pipes Ø36 or 40</li><li>- Slot for an alarm board with buzzer (accessory)</li><li>- Manual anti clogging function and separate drain connection for service</li><li>- Venting valve with overflow protection</li><li>- Uplift fixation clips</li></ul> <p>Design according to EN12050-3 and production inspection by external institute with unique features focused on quick installation, long lasting operation and easy clean service.</p> <p>Note: The discharge adaptor can be mounted vertical or horizontal. Vertical installation increase the flow (s. databooklet and curves)</p> <p>Vedelik:</p> <table><tr><td>Pumbatav vedelik:</td><td>Mistahes viskoosne vedelik</td></tr><tr><td>Maks. vedeliku temperatuur:</td><td>50 °C</td></tr><tr><td>Tihedus:</td><td>998.2 kg/m<sup>3</sup></td></tr></table> <p><b>Tehnilised:</b></p> <table><tr><td>Tunnustused sildikul:</td><td>CE,TR,VDEEMV,VDE,MORO</td></tr><tr><td>Karakt. tolerantsid:</td><td>ISO9906:2012 3B</td></tr></table>	Pumbatav vedelik:	Mistahes viskoosne vedelik	Maks. vedeliku temperatuur:	50 °C	Tihedus:	998.2 kg/m <sup>3</sup>	Tunnustused sildikul:	CE,TR,VDEEMV,VDE,MORO	Karakt. tolerantsid:	ISO9906:2012 3B
Pumbatav vedelik:	Mistahes viskoosne vedelik										
Maks. vedeliku temperatuur:	50 °C										
Tihedus:	998.2 kg/m <sup>3</sup>										
Tunnustused sildikul:	CE,TR,VDEEMV,VDE,MORO										
Karakt. tolerantsid:	ISO9906:2012 3B										

Kogus	Kirjeldus
	<b>Materjalid:</b> Mahuti: Plastic
	<b>Paigaldamine:</b> Pumba imiava: 32/36/40, 36/40/50, DN 100 Pumba surveava: 22/25/28/32/36/40 Juhtmete arv: 3X0,75MM2
	<b>Elektriandmed:</b> Tarbitav võimsus - P1: 620 W Vooluvõrgu sagedus: 50 Hz Nimipinge: 1 x 220-240 V Nimivool: 3 A Cos fii - võimsustegur: 0.92 Nimikiirus: 2800 p/min Kaitseklass (IEC 34-5): IP44 Isolatsiooniklass (IEC 85): F Kaabli pikkus: 1.2 m Kaabli tüüp: H05VV-F-3G Kaablipistiku tüüp: SCHUKO
	<b>Muu:</b> Nettokaal: 7.79 kg Bruttokaal: 9.8 kg Danish VVS No.: 614363632 Swedish RSK No.: 5886546 Finnish LVI No.: 4965313 Norwegian NRF no.: 9045715 Päritoluriik: RS Tollitariifi nr: 84137021

## 97775315 SOLOLIFT2 WC-3 50 Hz



## 97775315 SOLOLIFT2 WC-3 50 Hz



Märkus! Kõik mõõdud on [mm] kui pole teisiti tähistatud.  
Lahtiütlus: see lihtsustatud mõõtjoonis ei näita kõiki detaile.