

iBox universal 2

Basic set

Finish: n.a. Article Number: **01500180**



Description

product features

- suitable for all new shower, bath tub and thermostat finish sets for concealed installation
- material: dezincification brass, EPP foam, heat and sound insulating
- connection thread Rp 1/2
- connection dimension: DN15
- rotationally-symmetric installation
- sound-decoupled installation
- flexible mounting ring for different mounting situations
- mounting ring adjustable in 5 mm steps
- mounting ring suitable for front and rear installation
- no shortening necessary thanks to sliding sleeve
- support aid for the spirit level
- integrated spirit level for correct horizontal and vertical alignment
- sealing foil permanently fixed
- power supply: M16 flexible conduit
- minimum mounting depth: 80 mm
- maximum mounting depth: 108 mm

Technology



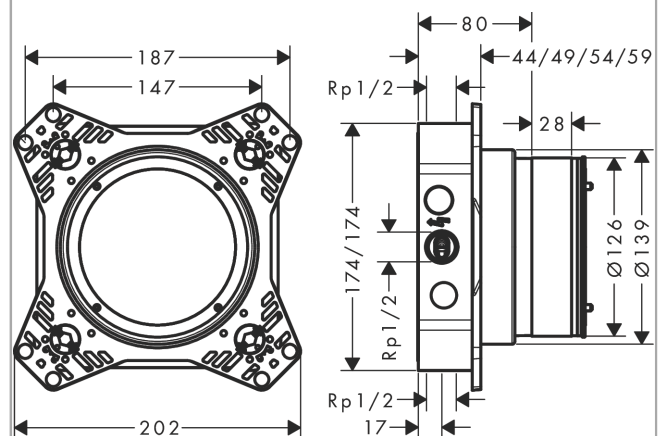
Design awards



Product image



Scale drawing



iBox universal 2

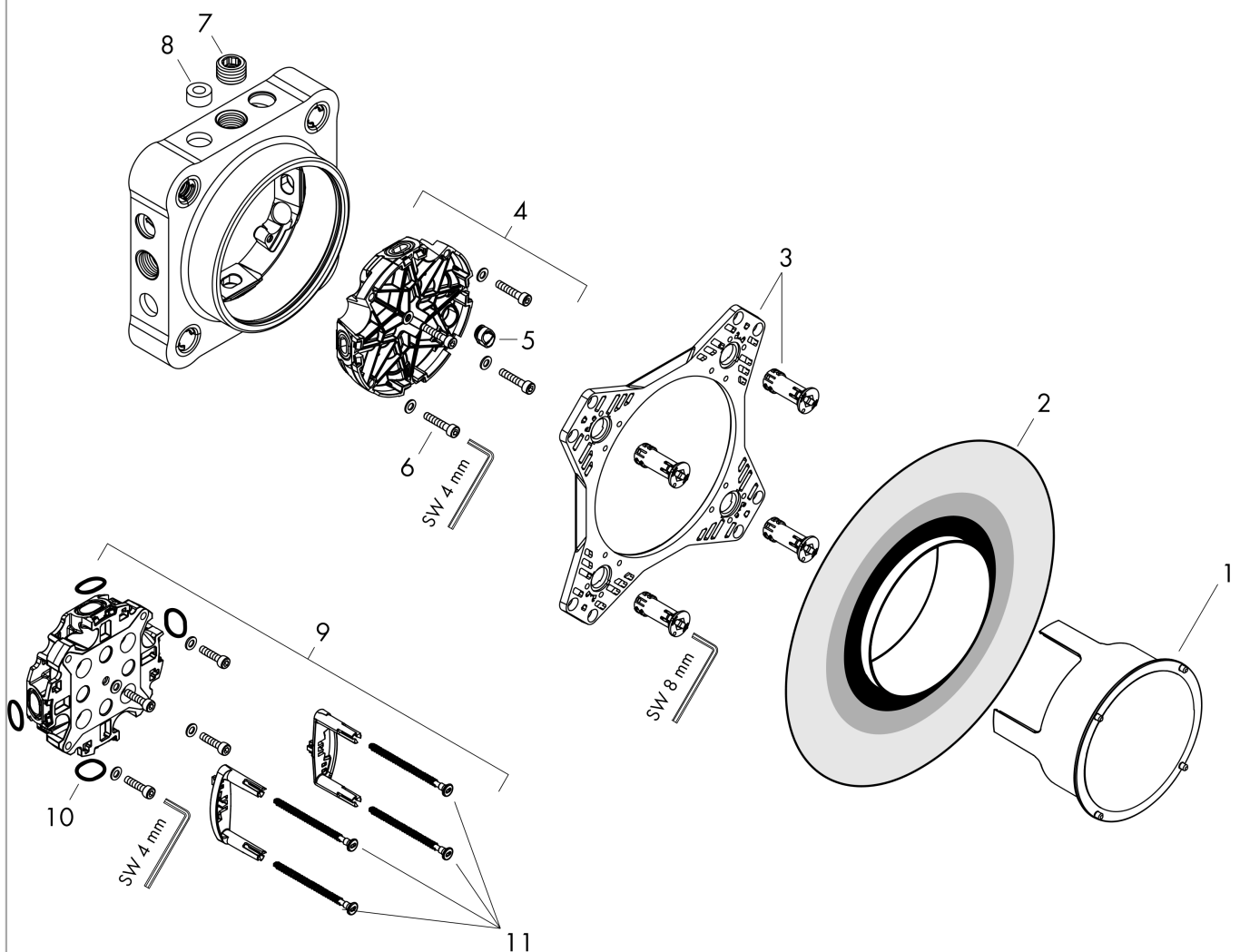
Basic set

Finish: n.a. Article Number: **01500180**



Exploded Drawing

Year of production: >01/23



iBox universal 2

Basic set

Finish: n.a. Article Number: **01500180**



Spare part list

Year of production: >01/23

Pos.	Description	Article Number	PC	PU
1	cover	94895000	10	1
2	sealing foil	94897000	10	1
3	displacing ring	94899000	4	1
4	flushing unit complete	94898000	6	1
5	set of screws	96525000	3	1
6	-	94894000	1	1
7	plug	97998000	3	1
8	-	94896000	1	1
9	-	13588000	98	1
10	O-ring 17x2	98199000	1	1
11	mounting kit	93102000	7	1