

RainSelect

Basic set for 2 functions

Finish: Article Number: **15310180**



Description

product features

- 2 functions
- connection thread Rp 3/4
- connection dimension: DN15/DN20
- horizontal installation
- sound-decoupled installation
- minimum mounting depth: 87 mm
- maximum mounting depth: 122 mm
- EPD_20230025_Basic_sets

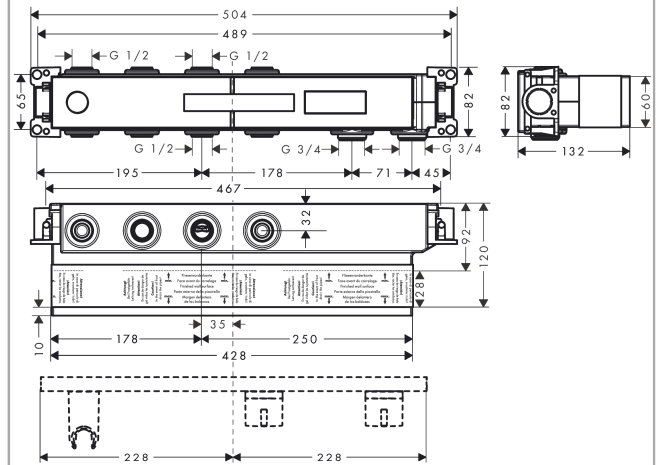
Certificates / Sustainability



Product image



Scale drawing



RainSelect

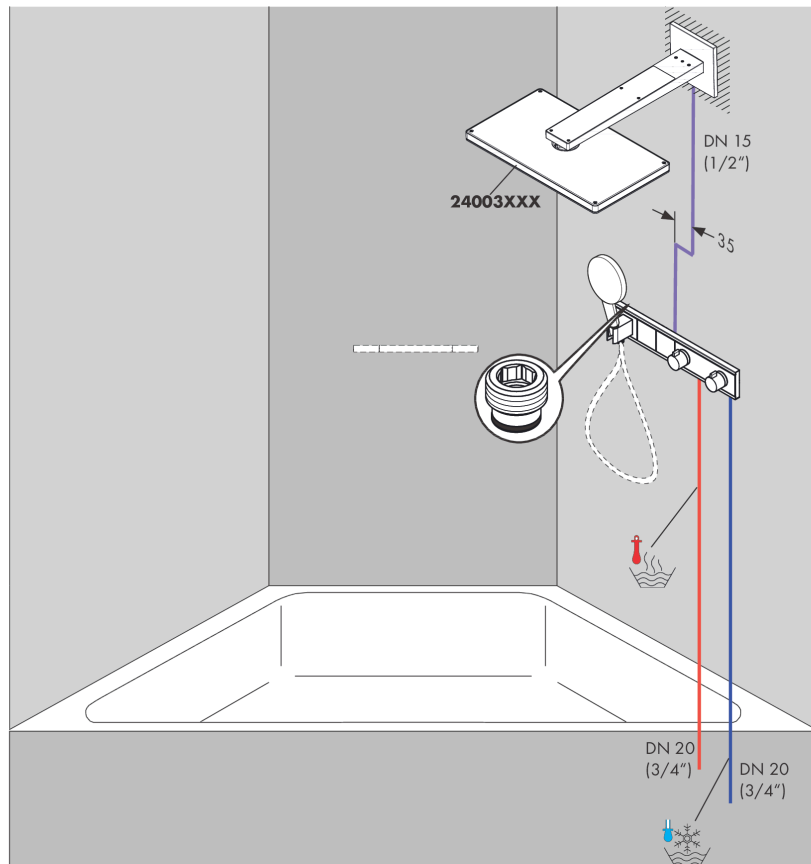
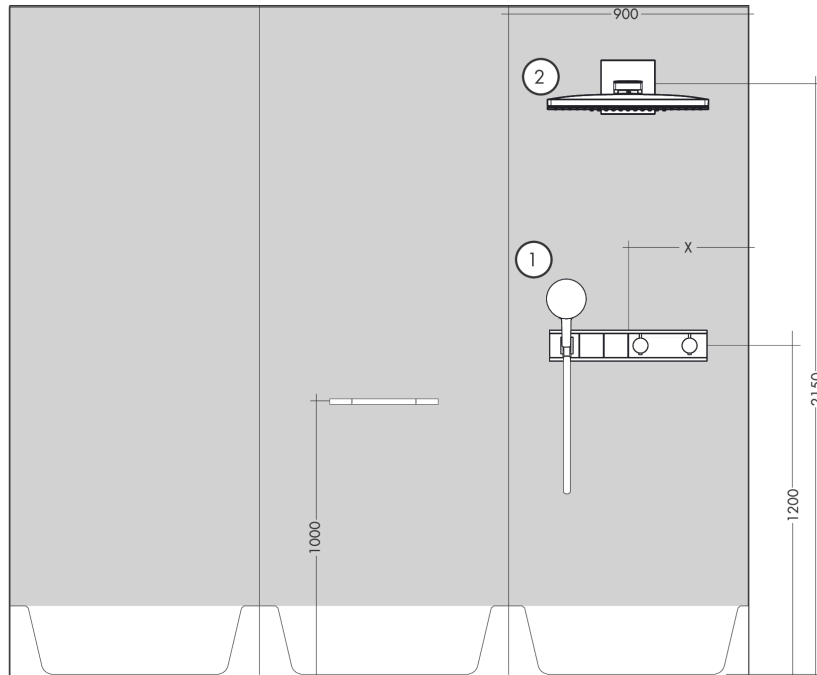
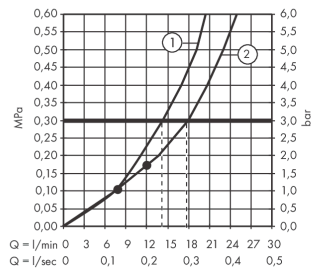
Basic set for 2 functions

Finish: Article Number: **15310180**



Installation examples

RainSelect
1531018X / 15355XXX



RainSelect

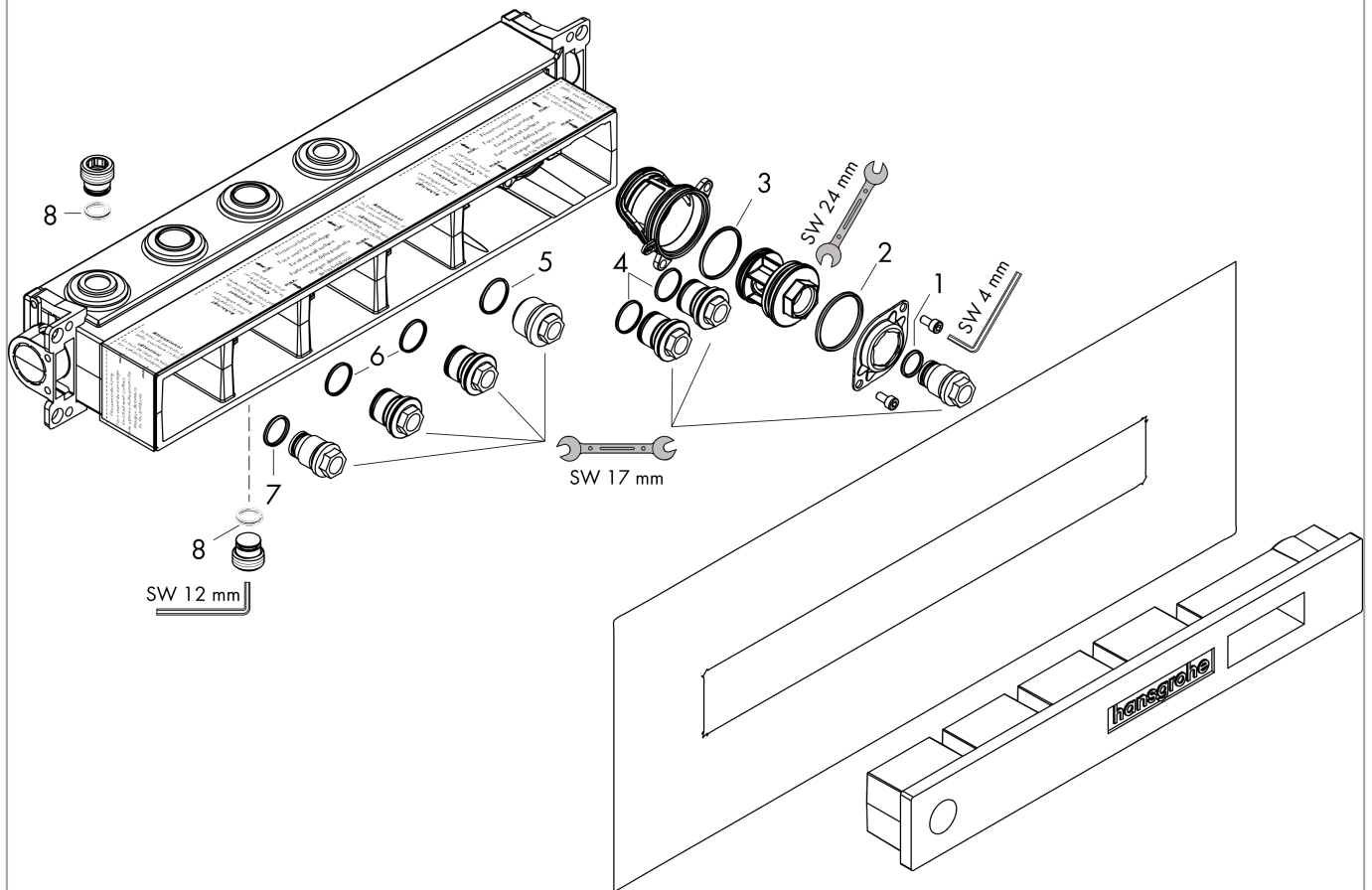
Basic set for 2 functions

Finish: Article Number: **15310180**



Exploded Drawing

Year of production: >10/17



RainSelect

Basic set for 2 functions

Finish: Article Number: **15310180**



Spare part list

Year of production: >10/17

Pos.	Description	Article Number	PC	PU
1	O-ring 15x2,5	98131000	1	1
2	O-ring 38x2,5	98198000	2	1
3	O-ring 34x2	98383000	2	1
4	O-ring 20x2	98165000	1	1
5	O-ring 21,95x1,78	95169000	1	1
6	O-ring 20x1,5	98197000	1	1
7	O-ring 18x2	98181000	2	1
8	O-ring 13x2	98128000	1	1
a	extension 25 mm	93432000	19	1