

Croma Select S Hand shower Vario

Surfaces: **White/Chrome** Article Number: **26802400**



Description

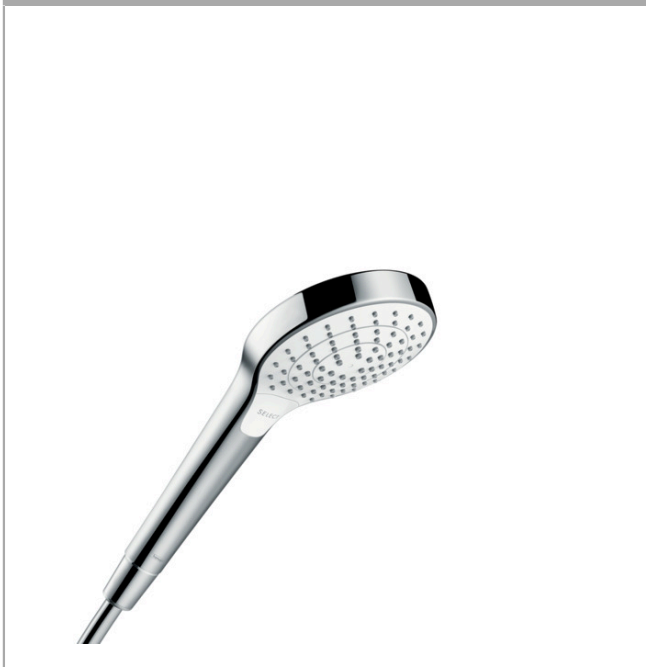
product features

- shower head size: 110 mm
- spray type: Rain, IntenseRain, TurboRain
- convenient diversion via Select button
- maximum flow rate at 3 bar: 15 l/min
- with internal water conduction
- rinseable dirt filter
- connection thread G ½
- connection dimension: DN15
- suitable for continuous flow water heaters

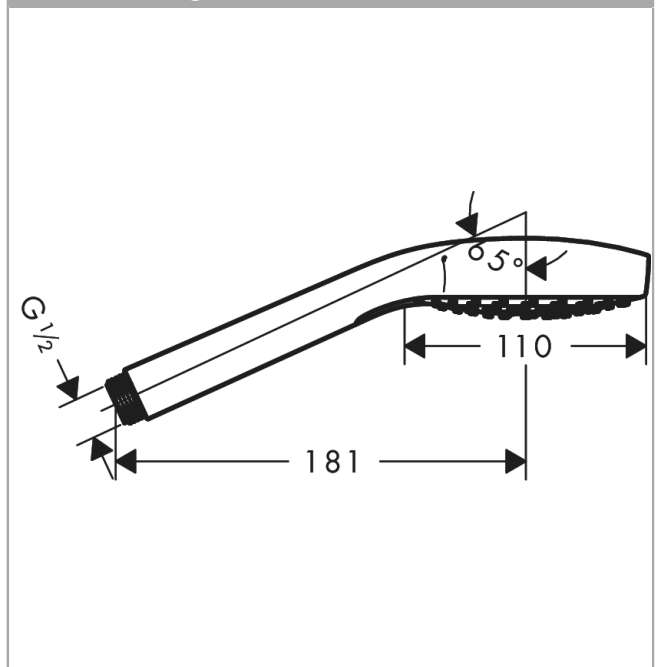
Technology



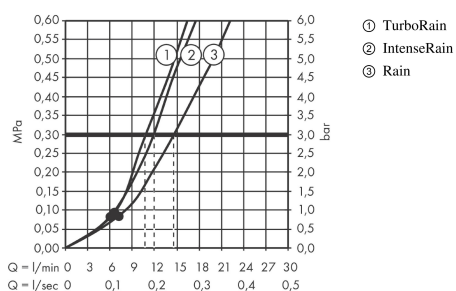
Product image



Scale drawing



Flowchart



The consumption was measured in combination with the appropriate fittings (thermostat/mixer/ in-wall valve) to reflect actual application in practice.