

Croma

Showerpipe 160 1jet with thermostat

Surfaces: **Chrome** Article Number: **27135000**



Description

product features

- consists of: overhead shower, hand shower, shower thermostat, shower hose, slider
- overhead shower Croma 160
- shower head size: 160 mm
- spray type: Rain
- ball-joint: overhead shower angle adjustable
- height-adjustable hand shower holder
- rising pipe can be shortened in height
- shower arm length: 270 mm
- maximum flow rate at 3 bar: 17 l/min
- operating pressure: min. 1,5 bar/max. 10 bar
- thermostat Ecostat Comfort
- safety lock at 40° C
- adjustable hot water limitation
- outlets controlled via turning handle
- installation type: exposed installation
- connection dimension DN15
- connection thread G 1/2
- centre distance 150 ± 12 mm

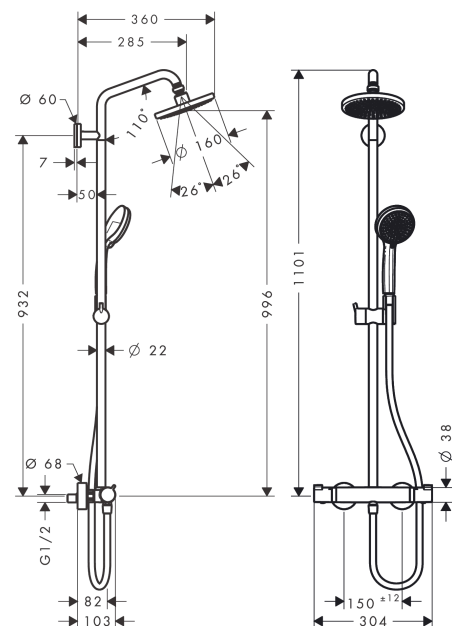
Technology



Product image



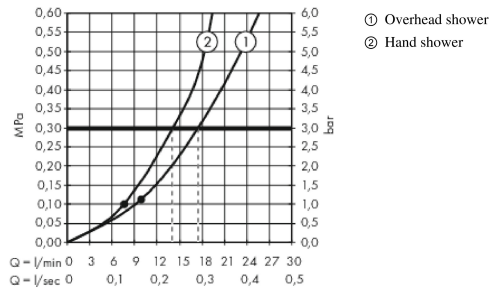
Scale drawing



Croma
Showerpipe 160 1jet with thermostat
 Surfaces: **Chrome** Article Number: **27135000**



Flowchart



Croma
Showerpipe 160 1jet with thermostat
 Surfaces: **Chrome** Article Number: **27135000**



Installation examples

