

sBox

Finish set square

Finish: **Chrome** Article Number: **28010000**



Description

product features

- consists of: hose box, shower hose, escutcheon
- suitable for rim or tile mounted installation
- 1 function
- sBox for quiet, smooth and protected hose guidance
- connection dimension: DN15
- no additional maintenance opening required
- bath rim width at least 80 mm
- clamping range: 0 - 30 mm
- maximum pull-out length of hand shower 1.45 m
- removable for service at any time
- protected against backflow, according to DIN EN 1717
- maximum flow rate at 3 bar: 9,5 l/min
- EPD_20230025_Basic_sets

Design awards



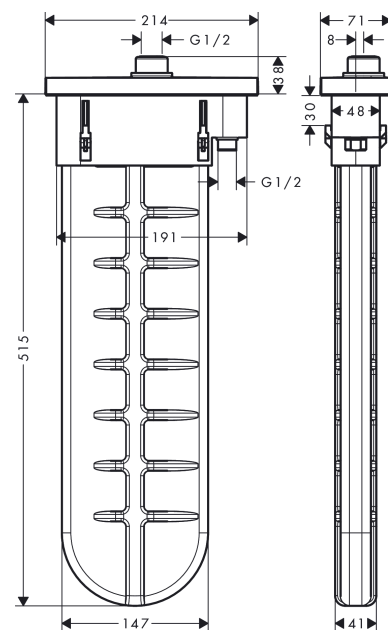
Certificates / Sustainability



Product image



Scale drawing



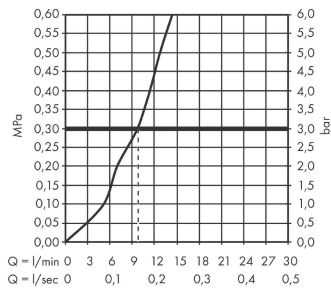
sBox

Finish set square

Finish: **Chrome** Article Number: **28010000**



Flowchart



sBox

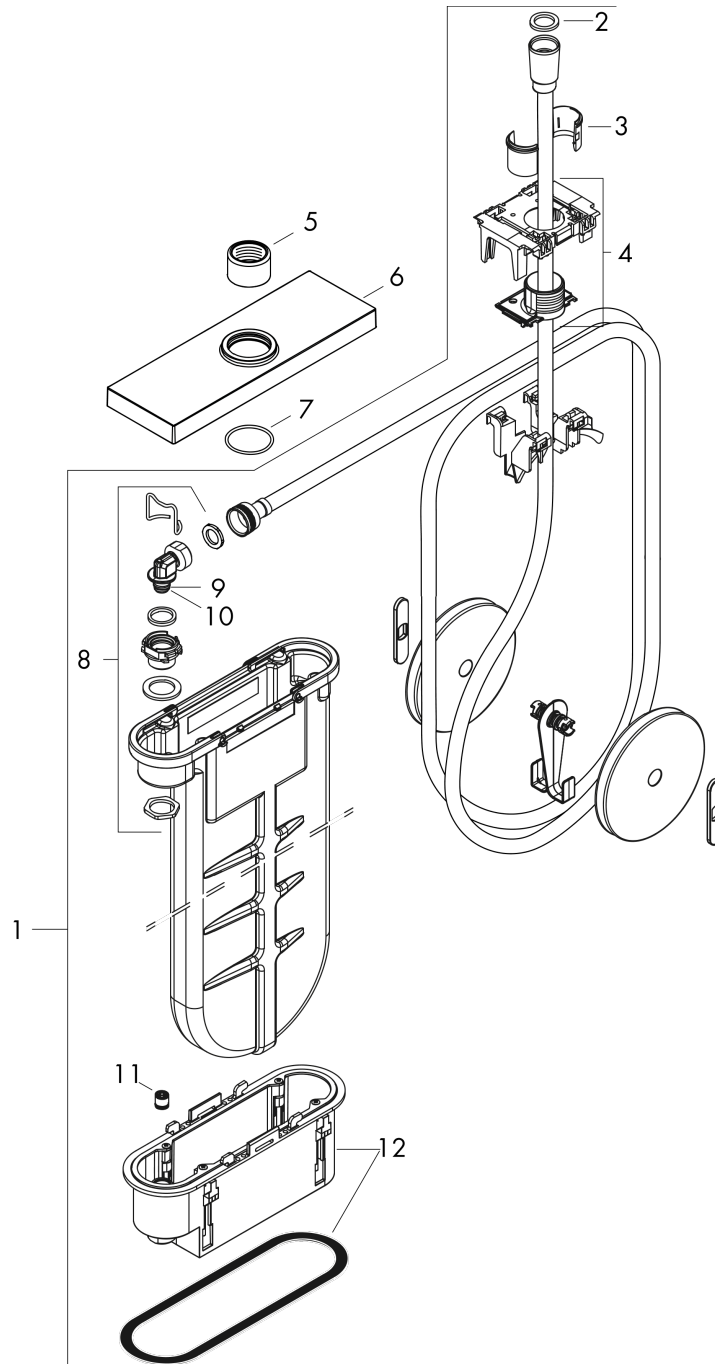
Finish set square

Finish: **Chrome** Article Number: **28010000**



Exploded Drawing

Year of production: **>09/20**



sBox

Finish set square

Finish: **Chrome** Article Number: **28010000**



Spare part list

Year of production: >09/20

Pos.	Description	Article Number	PC	PU
1	sBox	94679000	19	1
2	seal	98058000	1	1
3	insert for shower holder	96942000	4	1
4	hose guide	94504000	14	1
5	nut	97584000	5	1
6	escutcheon	93504000	15	1
7	O-Ring 32x2	98193000	1	1
8	connection angel	94506000	10	1
9	O-ring 9x2	98119000	1	1
10	O-ring 7x1,5	98422000	1	1
11	non return valve DW 10	96456000	3	1
12	installation frame	93908000	12	1
a	concealed item	13560180	98	1