

Metris

Single lever basin mixer 110 with pop-up waste set

Finish: **Chrome** Article Number: **31080000**



Description

product features

- consists of: single lever basin mixer, waste set
- ComfortZone 110
- projection: 116 mm
- spout height: 100 mm
- handle variant: lever handle
- spray type: normal spray
- maximum flow rate at 3 bar: 5 l/min
- ceramic cartridge
- temperature limitation adjustable
- suitable for continuous flow water heaters
- pop-up waste set G 1¼
- material waste set: metal
- connection type: G ¾ connections
- connection dimension: DN15
- EU taxonomy: max. 6 l/min - Substantial Contribution (SC) possible
- EPD_20220300_Basin_faucets

Technology



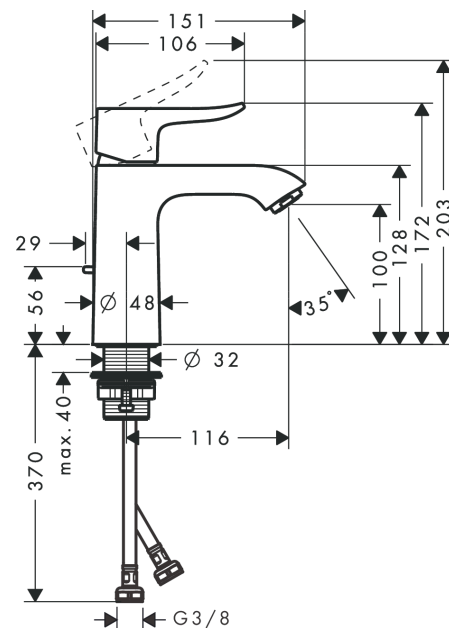
Certificates / Sustainability



Product image



Scale drawing



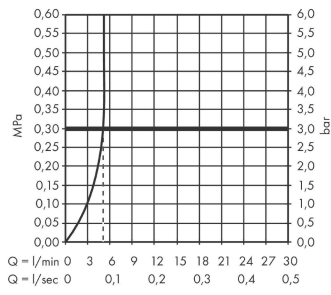
Metris

Single lever basin mixer 110 with pop-up waste set

Finish: **Chrome** Article Number: **31080000**



Flowchart

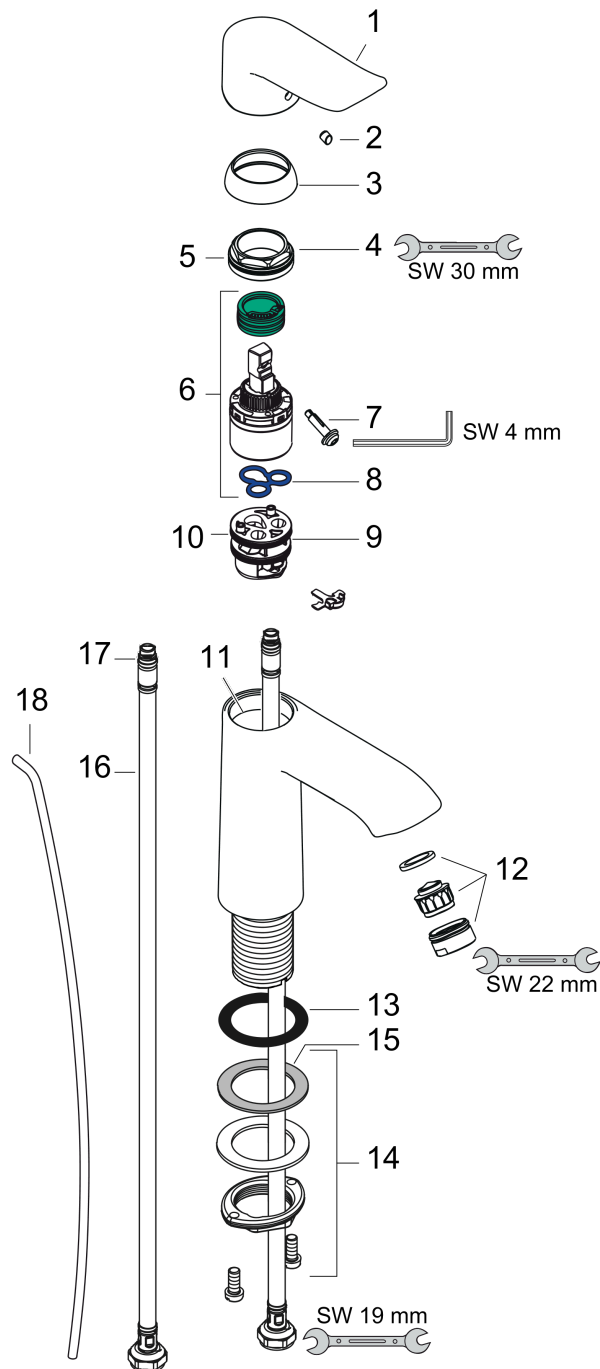


Metris
Single lever basin mixer 110 with pop-up waste set
 Finish: **Chrome** Article Number: **31080000**



Exploded Drawing

Year of production: >04/17



Metris**Single lever basin mixer 110 with pop-up waste set**Finish: **Chrome** Article Number: **31080000****Spare part list**

Year of production: >04/17

Pos.	Description	Article Number	PC	PU
1	handle	95519000	9	1
2	screw cover	96338000	1	1
3	flange	97406000	6	1
4	nut	97209000	5	1
5	O-Ring 32x2	98193000	1	1
6	cartridge, assy	92730000	11	1
7	locking screw for handle	95140000	2	1
8	seal	95008000	3	1
9	adapter for cartridge	98750000	4	1
10	O-Ring 30x2	98186000	1	1
11	O-ring 35x2	92604000	2	1
12	aerator M24x1 (5 l/min)	13185000	98	1
13	flat seal	98749000	2	1
14	fixing set (Ø 32)	13961000	7	1
15	lever collar	97548000	1	1
16	connection hose 450 mm M8x0,75 G3/8	97206000	8	1
17	O-ring 6,6x1,6	93019000	1	1
18	pull rod	96657000	4	1
a	pop up waste	94139000	98	1
b	fixation extension 35 mm	13898000	12	1
c	aerator M24x1 (3,5 l/min)	92508000	6	1
d	aerator M24x1 (4,5 l/min)	92877000	6	1
e	aerator swivelling M24x1 (5 l/min)	95928000	8	1