

Focus M41

Single lever kitchen mixer 240, pull-out spray, 2jet

Surfaces: **Matt Black** Article Number: **31815670**



Description

product features

- ComfortZone 240
- swivel range adjustable in 2 steps to 110° or 150°
- laminar spray, shower spray
- lockable shower spray, spray returns through pressing spray diverter and spray returns automatically through handle closing
- MagFit magnetic shower support
- quick connect hose
- connection dimension: DN15
- maximum flow rate at 3 bar: 10 l/min
- ceramic cartridge
- connection type: G 3/8 connections
- temperature limitation adjustable
- integrated non-return valve
- suitable for continuous flow water heaters

Technology



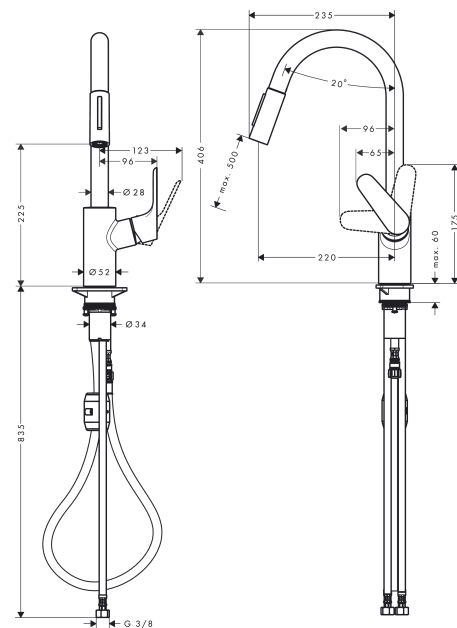
Design awards



Product image



Scale drawing



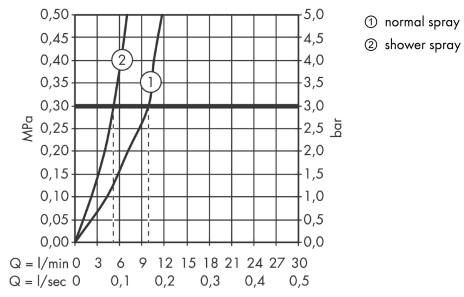
Focus M41

Single lever kitchen mixer 240, pull-out spray, 2jet

Surfaces: **Matt Black** Article Number: **31815670**



Flowchart



Focus M41

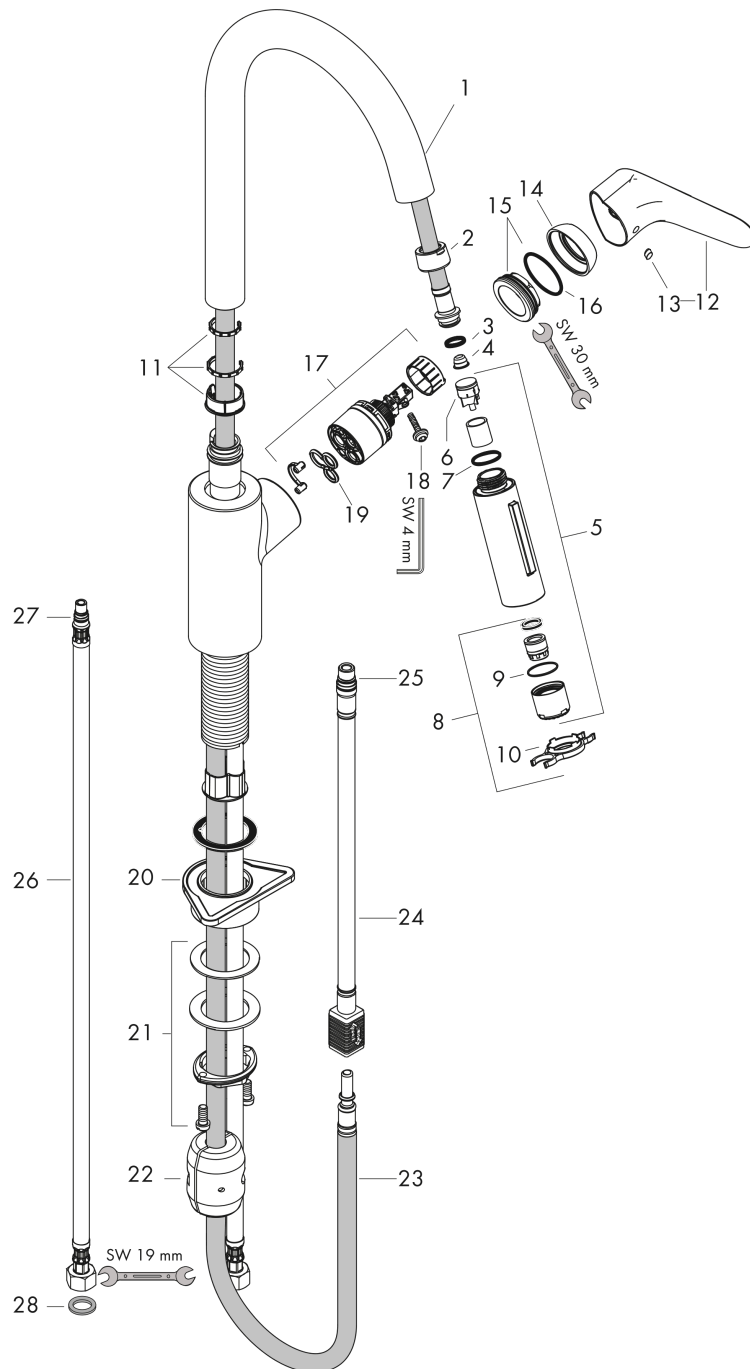
Single lever kitchen mixer 240, pull-out spray, 2jet

Surfaces: **Matt Black** Article Number: **31815670**



Exploded Drawing

Year of production: >07/19



Focus M41

Single lever kitchen mixer 240, pull-out spray, 2jet

Surfaces: **Matt Black** Article Number: **31815670**



Spare part list

Year of production: >07/19

| Pos. | Description | Article Number | Price | PU |
|------|-------------------------------------|----------------|-------|----|
| 1 | spout cpl. | 95562670 | - | 1 |
| 2 | nut | 92755000 | - | 1 |
| 3 | O-ring 11x2 | 98127000 | - | 1 |
| 4 | filter | 97735000 | - | 1 |
| 5 | handspray | 98459670 | - | 1 |
| 6 | set of non return valves DW 15 | 97350000 | - | 1 |
| 7 | O-ring 18x1,5 | 98231000 | - | 1 |
| 8 | aerator laminar M22x1 (15 l/min) | 95909000 | - | 1 |
| 9 | O-ring 20x1 | 98140000 | - | 1 |
| 10 | service tool | 95910000 | - | 1 |
| 11 | set of lever collars | 98365000 | - | 1 |
| 12 | handle | 98460670 | - | 1 |
| 13 | screw cover | 96338000 | - | 1 |
| 14 | flange | 95498670 | - | 1 |
| 15 | nut | 97209000 | - | 1 |
| 16 | O-Ring 32x2 | 98193000 | - | 1 |
| 17 | cartridge, assy | 92730000 | - | 1 |
| 18 | locking screw for handle | 95140000 | - | 1 |
| 19 | seal | 95008000 | - | 1 |
| 20 | support | 97523000 | - | 1 |
| 21 | fixing set (special) | 93253000 | - | 1 |
| 22 | weight | 92500000 | - | 1 |
| 23 | hose 1,50 m | 95507000 | - | 1 |
| 24 | connection hose 600 mm M10x1 | 95561000 | - | 1 |
| 25 | O-ring 8x1,75 | 97827000 | - | 1 |
| 26 | connection hose 900 mm M8x0,75 G3/8 | 96316000 | - | 1 |
| 27 | O-ring 7x1,5 | 98422000 | - | 1 |
| 28 | sealing set | 95581000 | - | 1 |