

## AXOR Citterio E

### Bath thermostat for exposed installation

Finish: **Brushed Bronze** Article Number: **36140140**



#### product features

- projection 177 mm
- 2 functions
- thermostat cartridge, shut-off/ diverter valve
- spray type mixer: normal spray
- maximum flow rate at 3 bar: 21 l/min
- flow rate for bath spout at 3 bar: 21 l/min
- flow rate of hand shower at 3 bar: 17 l/min
- min. operating pressure: 1 bar
- max. operating pressure: 10 bar
- safety stop at 40 °C
- temperature limitation adjustable
- non-return valve
- with silencer
- connection dimension: DN15
- connection type: s-shaped connections
- wall-mounted
- centre distance: 150 ± 16 mm

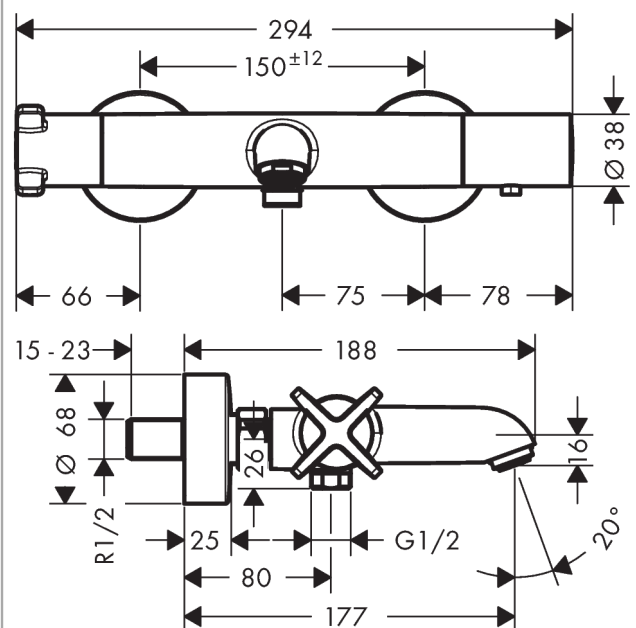
#### Technology



#### Product image



#### Scale drawing



**AXOR Citterio E**  
**Bath thermostat for exposed installation**  
 Finish: **Brushed Bronze** Article Number: **36140140**



## Flowchart

