

AXOR Citterio
Thermostat for concealed installation with shut-off valve and cross handle
 Finish: **Chrome** Article Number: **39705000**



product features

- 1 function
- thermostat cartridge, ceramic valves 90°
- maximum flow rate at 3 bar: 26 l/min
- min. operating pressure: 1 bar
- max. operating pressure: 10 bar
- safety stop at 40 °C
- temperature limitation adjustable
- with silencer
- connection type: basic set

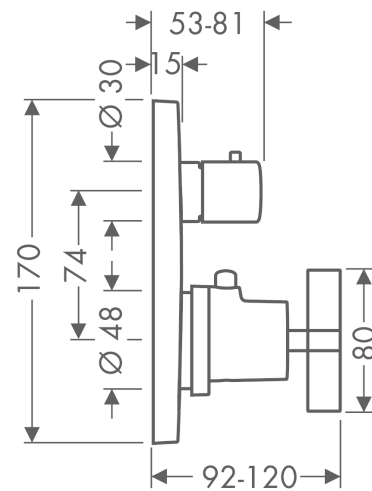
Technology



Product image



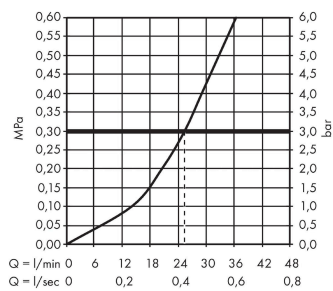
Scale drawing



AXOR Citterio
Thermostat for concealed installation with shut-off valve and cross handle
 Finish: **Chrome** Article Number: **39705000**



Flowchart

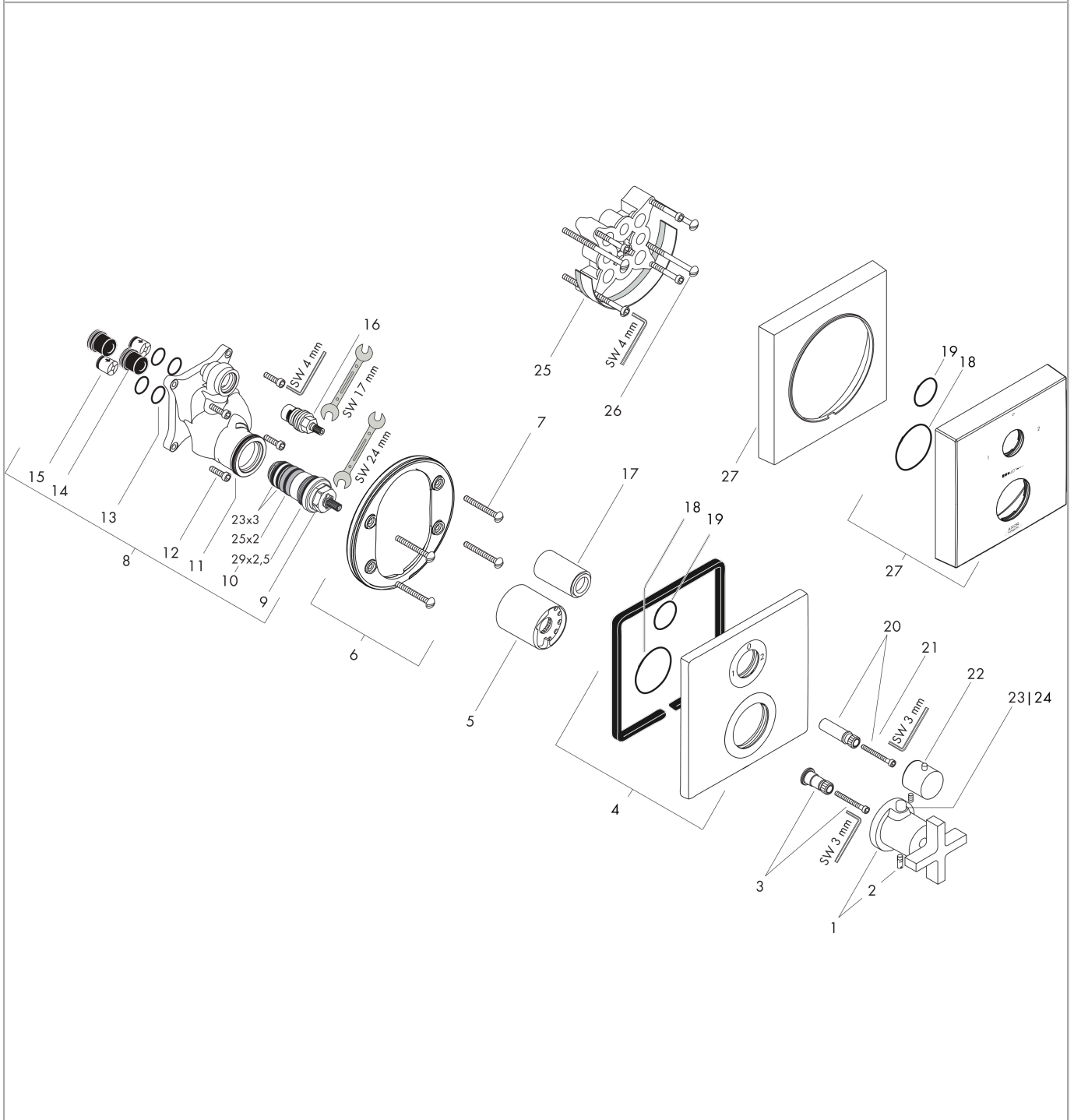


AXOR Citterio
Thermostat for concealed installation with shut-off valve and cross handle
 Finish: **Chrome** Article Number: **39705000**



Exploded Drawing

Year of production: >05/11



AXOR Citterio
Thermostat for concealed installation with shut-off valve and cross handle
 Finish: **Chrome** Article Number: **39705000**



Spare part list

Year of production: >05/11

Pos.		Article Number	PC	PU
1	handle for thermostat	39391000	13	1
2	hollow set screw M5x16	97666000	1	1
3	adapter for handle	96435000	6	1
4	escutcheon	96752000	14	1
5	sleeve	96439000	9	1
6	holder for escutcheon	98793000	9	1
7	set of fixing screws	96454000	3	1
8	installation unit cpl.	92760000	18	1
9	thermostat cartridge	94282000	15	1
10	sealing set	95037000	10	1
11	O-ring 39x2	98158000	1	1
12	set of screws	96525000	3	1
13	O-ring 16x2	98133000	1	1
14	noise reduction	94073000	7	1
15	set of non return valves DW 15	94074000	5	1
16	shut off unit right closing	94009000	9	1
17	sleeve	96446000	8	1
18	O-Ring 48x3	95508000	1	1
19	O-ring 29x3	98371000	2	1
20	adapter for handle	96451000	5	1
21	hexagon socket screw M4x35	92160000	1	1
22	handle	96520000	11	1
23	pushbutton	97792000	5	1
24	pushbutton red	97212000	7	1
25	extension 25 mm	13595000	98	1
26	set of fixing screws	97747000	1	1
27	extension 22 mm	97407000	98	1
28	escutcheon height = 33 mm (when wall is not deep enough).	14969000	98	1
a	concealed item	01800180	98	1
b	adapter for exchanged connections	93181000	18	1
c	non return valve with filter	92499000	5	1