

**Novus**  
**Single lever basin mixer 100 without waste set**  
 Surfaces: **Chrome** Article Number: **71031000**



## Description

### product features

- ComfortZone 100
- projection 118 mm
- flow rate at 3 bar: 5 l/min
- ceramic cartridge
- temperature limitation adjustable
- suitable for continuous flow water heaters
- connection type: G 3/8 connections
- connection dimension: DN15

## Technology



## Design awards



reddot award 2018  
winner

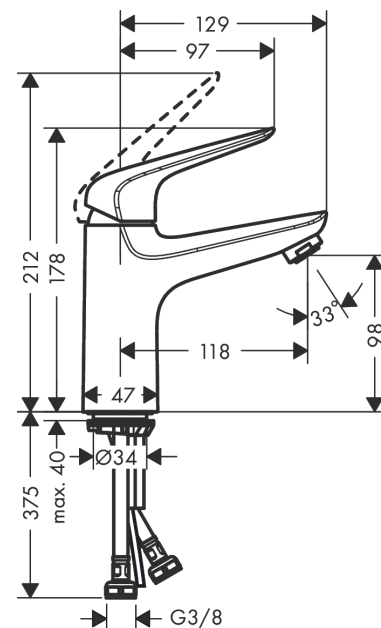


GERMAN  
DESIGN  
AWARD  
SPECIAL  
2019

## Product image



## Scale drawing



## Flowchart

