

**Vernis Blend**  
**Single lever bath mixer for exposed installation**  
 Finish: **Matt Black** Article Number: **71440670**



### Description

**product features**

- 2 functions
- projection: 171 mm
- centre distance: 150 ± 12 mm
- spray type mixer: normal spray
- maximum flow rate at 3 bar: 22,5 l/min
- flow rate for bath spout at 3 bar: 22,5 l/min
- flow rate of hand shower at 3 bar: 15,7 l/min
- ceramic cartridge
- temperature limitation adjustable
- diverter with automatic resetting
- with silencer
- suitable for continuous flow water heaters
- connection dimension: DN15
- connection type: s-shaped connections
- wall-mounted
- min. operating pressure: 1 bar
- max. operating pressure: 10 bar

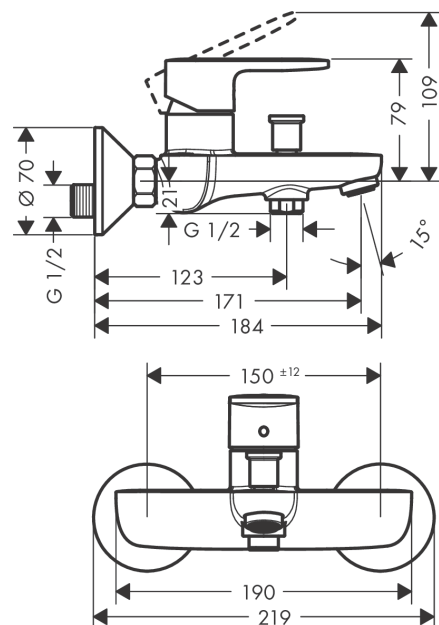
### Technology



### Product image



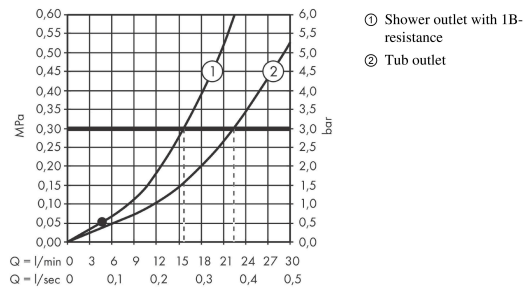
### Scale drawing



**Vernis Blend**  
**Single lever bath mixer for exposed installation**  
 Finish: **Matt Black** Article Number: **71440670**



**Flowchart**

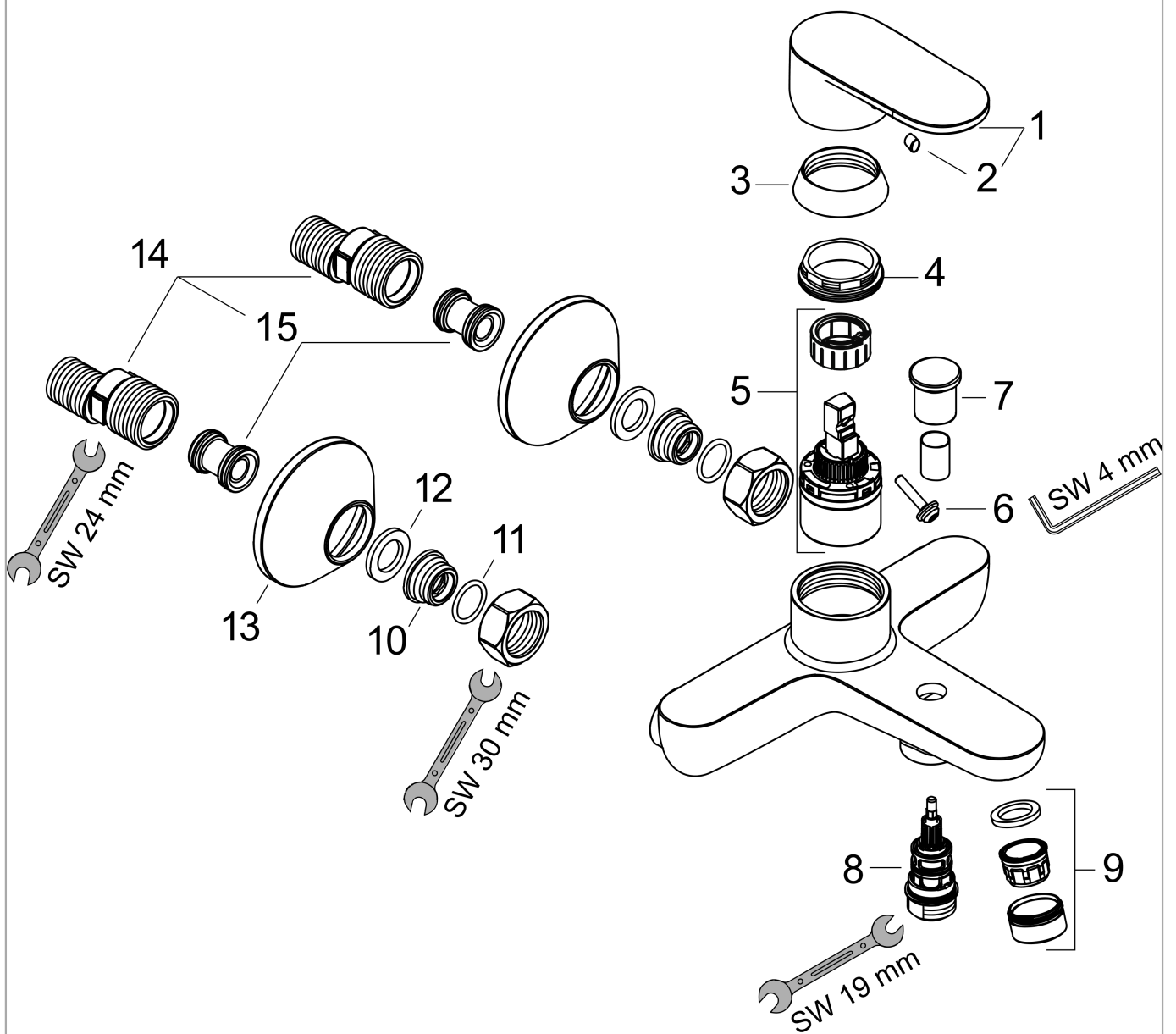


**Vernis Blend**  
**Single lever bath mixer for exposed installation**  
 Finish: **Matt Black** Article Number: **71440670**



**Exploded Drawing**

Year of production: >04/21



**Vernis Blend**  
**Single lever bath mixer for exposed installation**  
 Finish: **Matt Black** Article Number: **71440670**



## Spare part list

Year of production: >04/21

| Pos. | Description              | Article Number | PC | PU |
|------|--------------------------|----------------|----|----|
| 1    | handle                   | 93715670       | 59 | 1  |
| 2    | screw cover              | 96338610       | 51 | 1  |
| 3    | flange                   | 93716670       | 52 | 1  |
| 4    | nut                      | 93717000       | 4  | 1  |
| 5    | cartridge, assy          | 92730000       | 11 | 1  |
| 6    | locking screw for handle | 95140000       | 2  | 1  |
| 7    | diverter knob            | 93766670       | 55 | 1  |
| 8    | selector                 | 97978000       | 11 | 1  |
| 9    | aerator M24x1 (38 l/min) | 92513670       | 54 | 1  |
| 10   | connecting thread G½     | 93767000       | 3  | 1  |
| 11   | O-ring 16x2              | 98133000       | 1  | 1  |
| 12   | filter packing           | 96922000       | 3  | 1  |
| 13   | escutcheon Ø 70 mm       | 93718670       | 54 | 1  |
| 14   | set of S-unions (±12 mm) | 94140000       | 10 | 1  |
| 15   | noise reduction          | 96429000       | 2  | 1  |