

**Talis E**  
**Single lever basin mixer 110 without waste set**  
 Surfaces: **Chrome** Article Number: **71712000**



### Description

**product features**

- ComfortZone 110
- projection 112 mm
- flow rate at 3 bar: 5 l/min
- ceramic cartridge
- temperature limitation adjustable
- suitable for continuous flow water heaters
- connection type: G 3/8 connections
- connection dimension: DN15

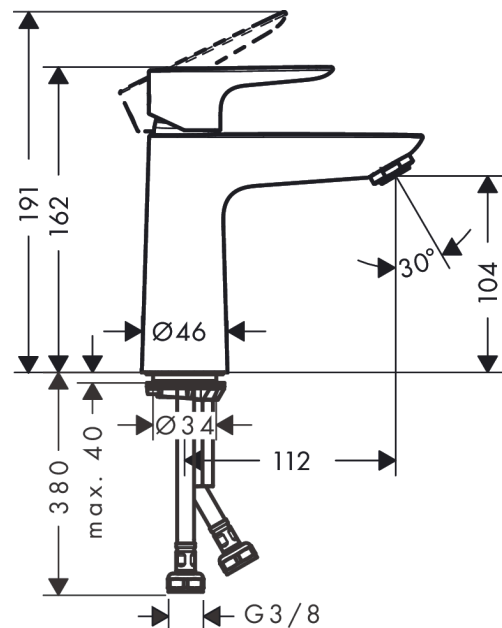
### Technology



### Product image



### Scale drawing



### Flowchart

