

## Talis E

Single lever shower mixer for exposed installation

Finish: **Matt Black** Article Number: **71760670**



### Description

#### product features

- 1 function
- centre distance: 150 ± 12 mm
- maximum flow rate at 3 bar: 22 l/min
- flow rate of hand shower at 3 bar: 16 l/min
- ceramic cartridge
- temperature limitation adjustable
- non-return valve
- with silencer
- hose connection DN15
- connection dimension: DN15
- connection type: s-shaped connections

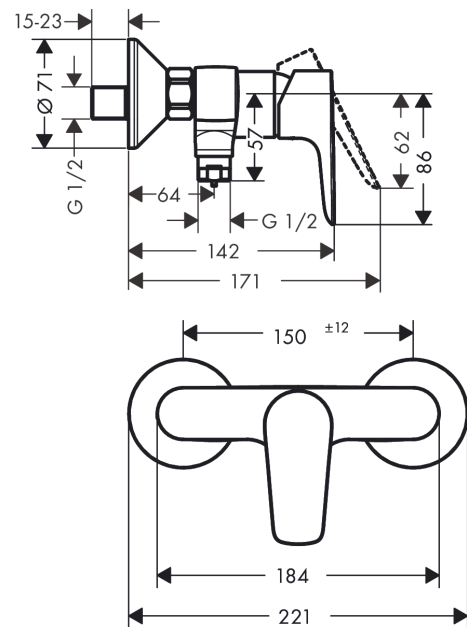
### Design awards



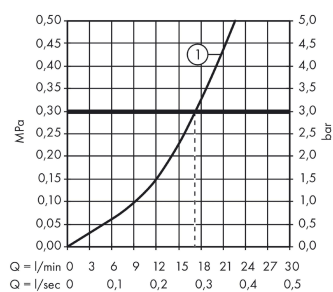
### Product image



### Scale drawing



### Flowchart



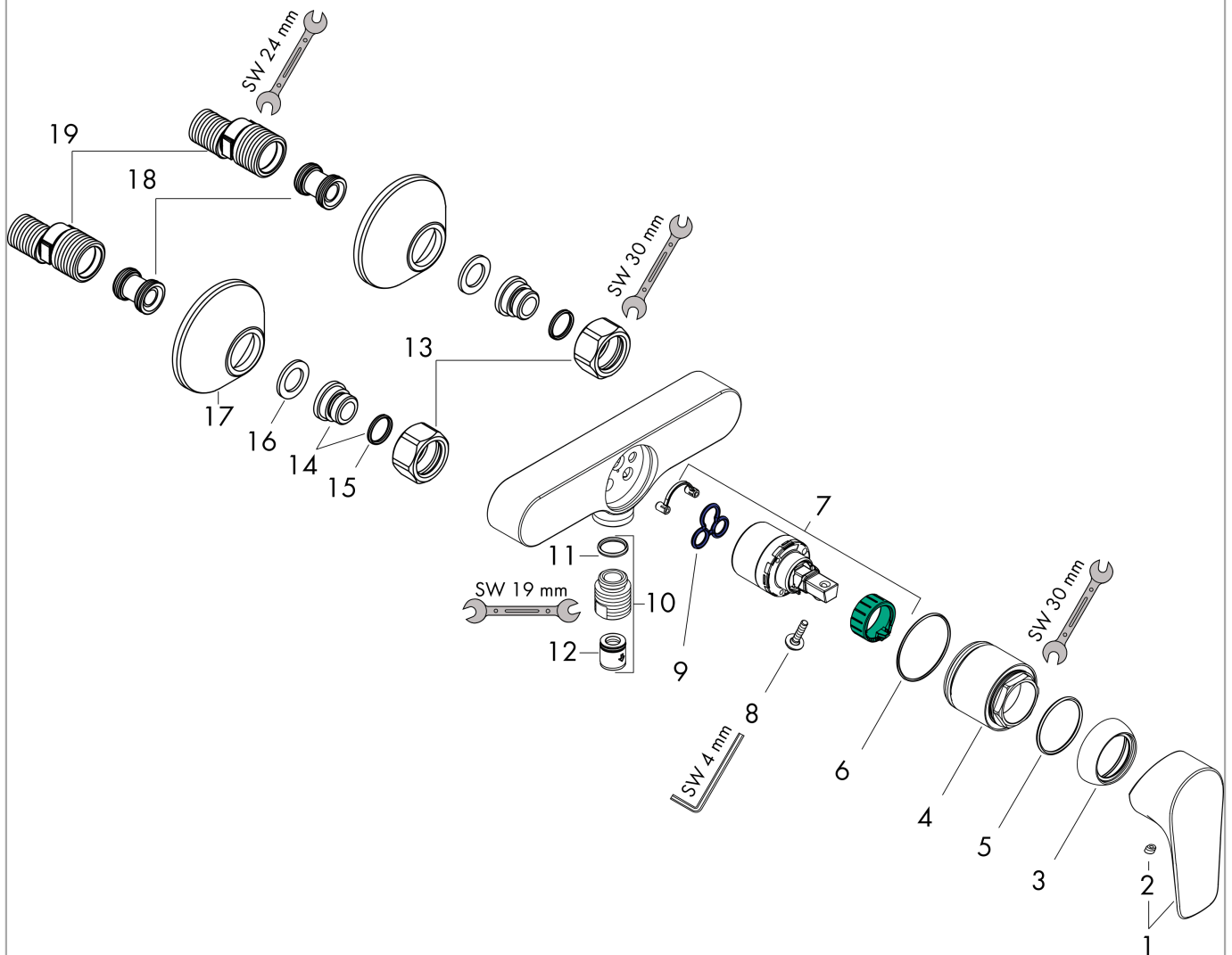
Shower outlet with 1B-resistance

**Talis E**  
**Single lever shower mixer for exposed installation**  
 Finish: **Matt Black** Article Number: **71760670**



**Exploded Drawing**

Year of production: >08/19



**Talis E**  
**Single lever shower mixer for exposed installation**  
 Finish: **Matt Black** Article Number: **71760670**



## Spare part list

Year of production: >08/19

Pos.	Description	Article Number	PC	PU
1	handle	92666670	58	1
2	screw cover	96338000	1	1
3	flange	97406670	56	1
4	nut	97977670	59	1
5	O-Ring 32x2	98193000	1	1
6	O-ring 33x1,5	98164000	1	1
7	cartridge, assy	92730000	11	1
8	locking screw for handle	95140000	2	1
9	seal	95008000	3	1
10	Hose Connection	96044670	55	1
11	O-ring 14x2	98129000	1	1
12	set of non return valves DW 15	94074000	5	1
13	set of nuts	96157670	58	1
14	connecting thread	97220000	5	1
15	O-ring 15x2	98163000	1	1
16	filter packing	96922000	3	1
17	escutcheon Ø 70 mm	94135670	54	1
18	noise reduction	96429000	2	1
19	set of S-unions (±12 mm)	94140000	10	1