

## Talis Select S

### Basin mixer 100 without waste set

Surfaces: **Chrome** Article Number: **72043000**



#### Description

##### product features

- ComfortZone 100
- projection 93 mm
- normal spray
- flow rate at 3 bar: 5 l/min
- Select cartridge with temperature control
- temperature limitation adjustable
- suitable for continuous flow water heaters
- connection type: G 3/8 connections
- connection dimension: DN15

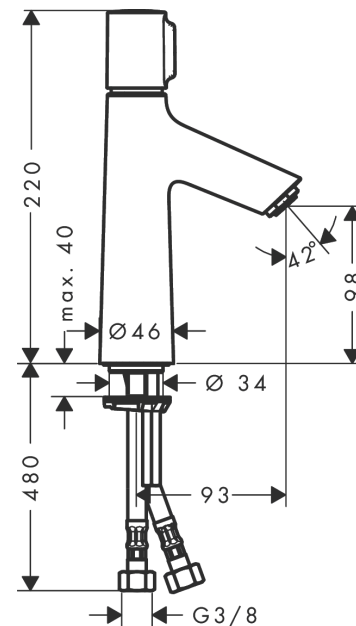
#### Technology



#### Product image



#### Scale drawing



#### Flowchart

