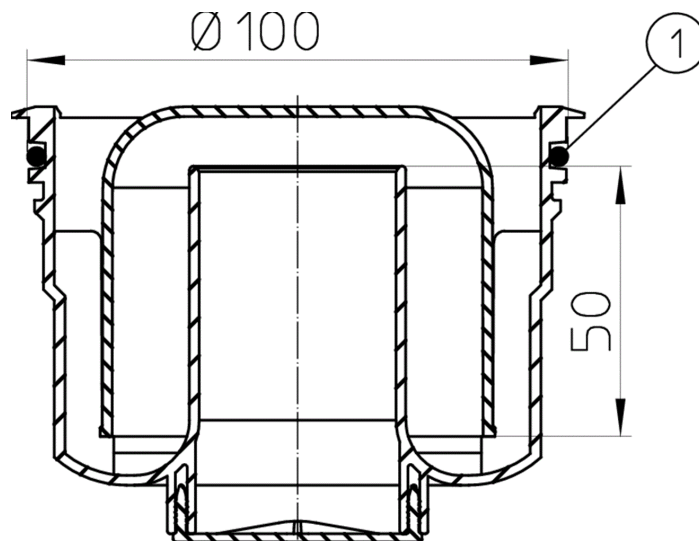


# HL0510.7E

trap seal cartridge



## Techn. drawing



## TECHNICAL DATA

<b>material</b>	PP	<b>installation height</b>
<b>dimension</b>		<b>grate frame</b>
<b>capacity</b>		<b>grate</b>
<b>weight</b>	0,087	<b>load class</b>

EAN

9003076051076

inlet

standards

## MAIN DATA

### spare parts



**HL01067D**

O-ring 92x4mm



**HL0510.8E**

bell trap

### used with



**HL37N.1**

grating d 110mm/123x123mm/115x115mm with trap seal. Comes with lot cover



**HL310N**

floor drain DN50/75/110 vertical 123x123mm/115x115mm



**HL510N**

floor drain DN40/50 horizontal 123x123mm/115x115mm



**HL37NP.1**

grating d 110mm/PVC-collar 185x185mm/115x115mm with trap seal



**HL38N.1**

grating round d 110mm/stainless steel frame d 131mm/d 112mm with trap seal



**HL310NR**

floor drain DN50/75/110 vertical round d 133mm/d 112mm



**HL510NR**

floor drain DN40/50 horizontal round d 133mm/d 112mm



**HL39.1**

Grating d 110mm/147x147mm/140x140mm with trap seal



**HL39.1G**

grating d 110mm/cast iron frame 150x150mm/137x137mm cast iron with trap seal



**HL310NG**

floor drain DN50/75/110 vertical 150x150mm/137x137mm cast iron



**HL510NG**

floor drain DN40/50 horizontal 150x150mm/137x137mm cast iron

## PACKAGING DATA

### PE-bag

unit	1 [pcs.]
weight	0,102 [kg]
EAN/pack.	9003076051076
height/width/depth	80/100/100 [mm]

**volume**

0,001218 [m³]

## DOWNLOADS

<b>Foto Print</b>	<b><a href="#">HL0510_7E_pr.tif</a></b>	max.
<b>Foto Web</b>	<b><a href="#">HL0510_7E_B.jpg</a></b>	640x480/300dpi
<b>Foto Parts List</b>	<b><a href="#">HL0510_7E_gr.jpg</a></b>	150x150/72dpi
<b>Techn. drawing</b>	<b><a href="#">HL0510_7E_a.pdf</a></b>	pdf
<b>CAD</b>	<b><a href="#">HL0510_7E_2_a.dxf</a></b>	dxf