

HL138

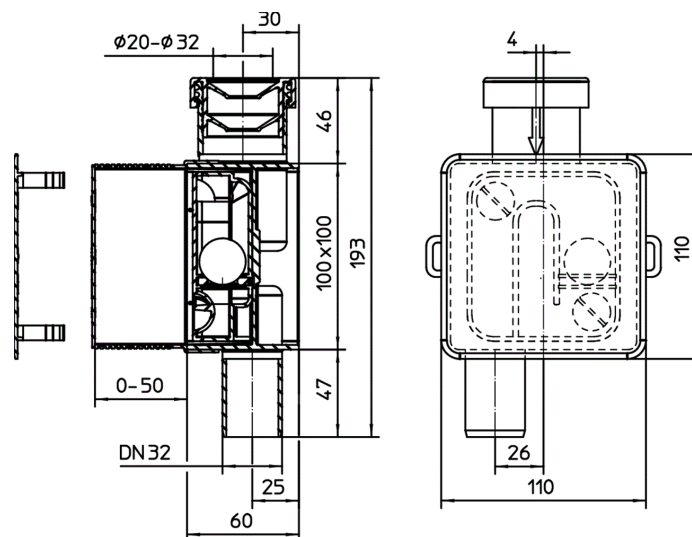
In-wall siphon for condensate water for air conditioners DN32 - 100x100mm



Flush mounted stench trap for air condition condensate water for drainage of condensate water to the sewer. Cleanable cartridge, which is save against running dry. Connectable to pipes and tubes from $\varnothing 20 - 32$ mm (Minimum inner diameter continuous 18mm). Lot cover, which is adjustable by cutting to the installation depth. Minimum installation depth 60mm.



Techn. drawing



TECHNICAL DATA

material	PP/ABS	installation height
dimension	DN32	grate frame
capacity	120 l/h	grate
weight	0,28	load class

EAN

9003076030705

inlet

Ø 20 - 30 mm

standards

DIN19541

MAIN DATA

spare parts



HL01096D

Gasket 20-32mm for HL138



HL01097D

2 x Gasket for cartridge of HL138 15-22mm



HL0138.1E

Lot cover



HL0138.2E

Cover plate



HL0138.3E

siphon cartridge



HL01097D

2 x Gasket for cartridge of HL138 15-22mm



HL138K

Drain body for in-wall siphon for condensate water/ 100x100mm



HL01096D

Gasket 20-32mm for HL138

attachment



HL0138.HE

Hygienic adapter for HL138

Alternatives



HL138H

In-wall siphon for condensate water with hygienic adapter

DOWNLOADS

Foto Print

HL138_pr.tif

max.

Foto Web

HL138_B.jpg

640x480/300dpi

Foto Parts List

HL138_gr.jpg

150x150/72dpi

Techn. drawing

HL138_a.pdf

pdf

CAD

HL138_2_a.dxf

dxf

example of use

HL138_PZ.pdf

pdf