

HL19.2

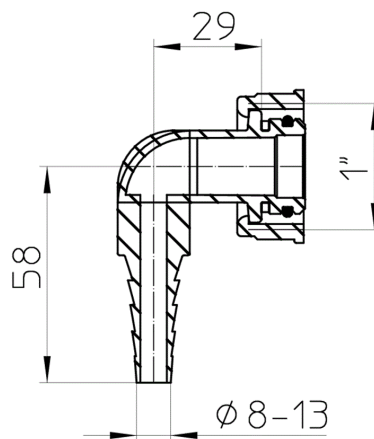
appliance hose connector 1"x8-13mm, O-ring



appliance hose connector 1" x 8 - 13 mm with O-ring



Techn. drawing



TECHNICAL DATA

material	PP	installation height
dimension	1" x 8 - 13 mm	grate frame
capacity		grate
weight	0,015	load class

EAN

9003076001927

inlet

standards

MAIN DATA

spare parts



HL01050D

O-ring 18x2,5mm

used with



HL19T.2/30

tee DN32x1 1/4' with HL19.2



HL19T.2/40

tee DN40x1 1/2' with HL19.2



HL4000.2

"Double-Upgrade-kit" for HL4000.0 corpus (e.g. washing machine and clothes dryer)



HL522V.0

shower trap body DN40/50 with ball-joint for waste holes d 90mm and hose connector 8-13mm



HL522V

shower trap DN40/50 with ball-joint for waste holes d 90mm, hose connector 8-13mm and stainless steel-coverplate d 112mm

DOWNLOADS

Foto Print	HL19x2_pr.tif	max.
Foto Web	HL19x2_B.jpg	640x480/300dpi
Foto Parts List	HL19x2_gr.jpg	150x150/72dpi
Techn. drawing	HL19_2_1_b.pdf	pdf
CAD	HL19_2_2_b1.dxf	dxf