

HL2.0

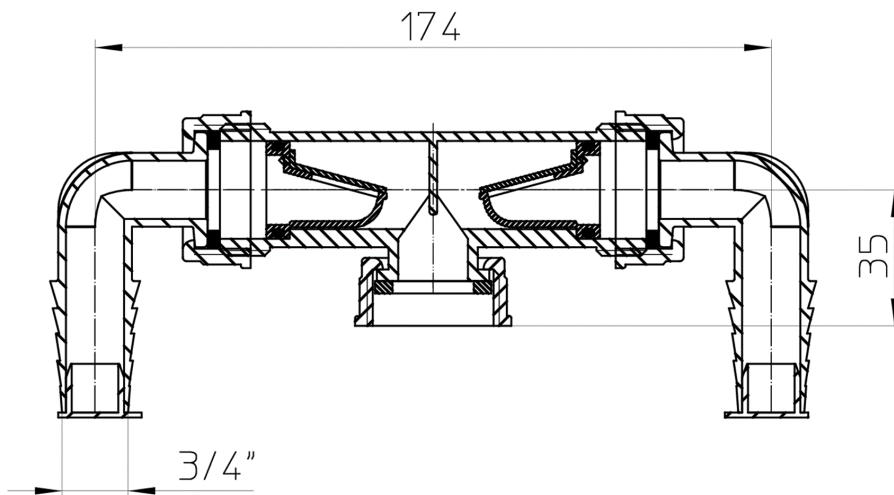
appliance hose twin connector with non-return valve. Gasket



appliance hose twin connector 1' x 3/4' with non-return valve and gasket



Techn. drawing



TECHNICAL DATA

material	PP	installation height
dimension		grate frame
capacity	1 (2) Anschluss 0,28 (0,23) l	grate
weight	0,08	load class

EAN

9003076530021

inlet

standards

MAIN DATA

spare parts



HL01000D

gasket 1'



HL02.3E

non-return valve



HL19

appliance hose connector 1'x3/4', O-ring



HL01050D

O-ring 18x2,5mm



HL0400.7E

plug

DOWNLOADS

Foto Print	HL2_pr.tif	max.
Foto Web	HL2_B.jpg	640x480/300dpi
Foto Parts List	HL2_0_gr.jpg	150x150/72dpi
Techn. drawing	HL2_0_b.pdf	pdf
CAD	HL2_0_b1.dxf	dxf
example of use	HL2_0_PZ.pdf	pdf