

HL2000

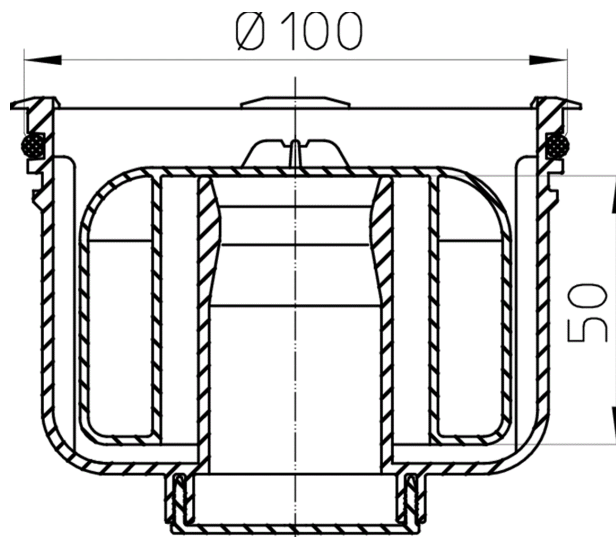
trap seal PRIMUS



trap seal PRIMUS - new and innovative trap seal that works with and without seal-water! Refilling to avoid stench is no longer necessary!



Techn. drawing



TECHNICAL DATA

material	PP	installation height
dimension		grate frame
capacity		grate
weight	0,113	load class

EAN

9003076004560

inlet

standards

MAIN DATA

spare parts



HL01067D

O-ring 92x4mm

used with



HL37NPPr

grating d 110mm/PVC-collar 185x185mm/115x115mm and trap seal Primus



HL37NPr

grating d 110mm/123x123mm/115x115mm with trap seal PRIMUS. Comes with lot cover



HL310NPr

floor drain DN50/75/110 vertical with trap seal PRIMUS, 123x123mm/115x115mm



HL510NPr

floor drain DN40/50 horizontal with trap seal PRIMUS, 123x123mm/115x115mm



HL38NPr

grating round d 110mm/stainless steel frame d 131mm/d 112mm with trap seal PRIMUS



HL310NPrR

floor drain DN50/75/110 vertical with trap seal PRIMUS, round d 133mm/d 112mm



HL510NPrR

floor drain DN40/50 horizontal with trap seal PRIMUS, round d 133mm/d 112mm



HL39Pr

grating d 110mm/147x147mm/140x140mm with trap seal PRIMUS



HL39PrG

grating d 110mm/cast iron frame 150x150mm/137x137mm cast iron with trap seal PRIMUS



HL310NPrG

floor drain DN50/75/110 vertical with trap seal PRIMUS,150x150mm/137x137mm cast iron



HL510NPrG

floor drain DN40/50 horizontal with trap seal PRIMUS, 150x150mm/137x137mm cast iron

DOWNLOADS

Foto Web

[HL2000_B.jpg](#)

640x480/300dpi

Foto Parts List

[HL2000_gr.jpg](#)

150x150/72dpi

Techn. drawing

[HL2000_a.pdf](#)

pdf

CAD

[HL2000_2_a.dxf](#)

dxf