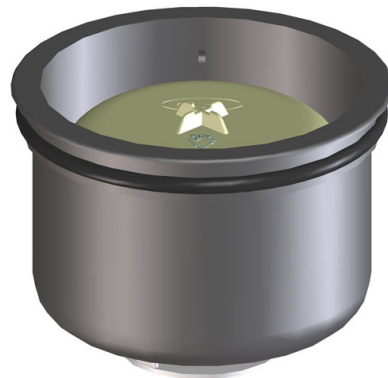


# HL2000KK

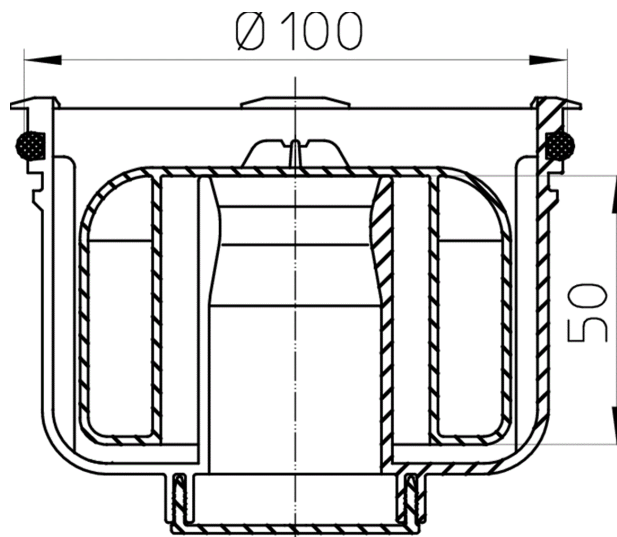
trap seal PRIMUS



trap seal PRIMUS - new and innovative trap seal that works with and without seal-water! Refilling to avoid stench is no longer necessary!



## Techn. drawing



## TECHNICAL DATA

<b>material</b>	PP	<b>installation height</b>
<b>dimension</b>		<b>grate frame</b>
<b>capacity</b>		<b>grate</b>
<b>weight</b>	0,113	<b>load class</b>

**MAIN DATA****spare parts****HL01086D**

O-ring 88x5mm

**used with****HL3000Pr**

grating d 110mm/stainless steel frame 121x121mm/115x115mm with trap seal PRIMUS. System "KLICK-KLACK". Comes with supporting frame/cover.

**HL310NPr-3000**

floor drain DN50/75/110 vertical with trap seal PRIMUS, 121x121mm KLICK-KLACK/115x115mm

**HL510NPr-3000**

floor drain DN40/50 horizontal with trap seal PRIMUS, 121x121mm KLICK-KLACK/115x115mm

**HL310NPr-3020**

Floor drain DN50/75/110 vertical with sifon cartridge "Primus" and extension with tilable frame 132x132mm / 112x112mm

**HL310NPr-3120**

floor drain DN50/75/110 vertical with trap seal PRIMUS, 121x121mm KLICK-KLACK/115x115mm "Quadra"

**HL310NPr-3121**

floor drain DN50/75/110 vertical with trap seal PRIMUS, 121x121mm KLICK-KLACK/115x115mm "Seine"

**HL310NPr-3123**

floor drain DN50/75/110 vertical with trap seal PRIMUS, 121x121mm KLICK-KLACK/115x115mm "Orinoco"

**HL310NPr-3124**

floor drain DN50/75/110 vertical with trap seal PRIMUS, 121x121mm KLICK-KLACK/115x115mm "Nil"

**HL310NPr-3125**

floor drain DN50/75/110 vertical with trap seal PRIMUS, 121x121mm KLICK-KLACK/115x115mm "Yukon"

**HL510NPr-3020**

Floor drain DN40/50 horizontal with sifon cartridge Primus and extension with tilable frame 132x132mm / 112x112mm

**HL510NPr-3120**

floor drain DN40/50 horizontal with trap seal PRIMUS, 121x121mm KLICK-KLACK/115x115mm "Quadra"

**HL510NPr-3121**

floor drain DN40/50 horizontal with trap seal PRIMUS, 121x121mm KLICK-KLACK/115x115mm "Seine"

**HL510NPr-3123**

floor drain DN40/50 horizontal with trap seal PRIMUS, 121x121mm KLICK-KLACK/115x115mm "Orinoco"

**HL510NPr-3124**

floor drain DN40/50 horizontal with trap seal PRIMUS, 121x121mm KLICK-KLACK/115x115mm "Nil"

**HL510NPr-3125**

floor drain DN40/50 horizontal with trap seal PRIMUS, 121x121mm KLICK-KLACK/115x115mm "Yukon"

**DOWNLOADS**

<b>Foto Web</b>	<b>HL2000KK_B.jpg</b>	640x480/300dpi
<b>Foto Parts List</b>	<b>HL2000KK_gr.jpg</b>	150x150/72dpi
<b>Techn. drawing</b>	<b>HL2000KK_a.pdf</b>	pdf
<b>CAD</b>	<b>HL2000KK_2_a.dxf</b>	dxf