

HL21

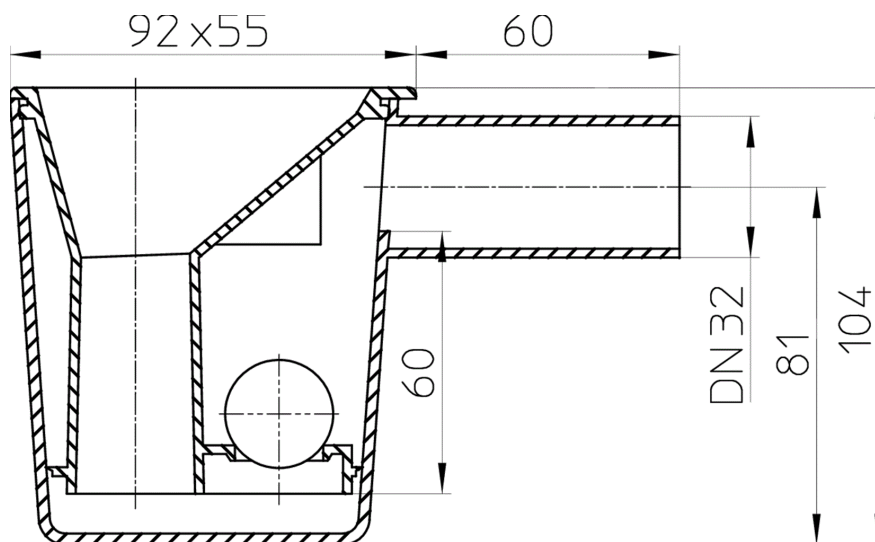
drip funnel DN32 with trap



drip funnel DN32 with trap seal



Techn. drawing



TECHNICAL DATA

material	PP	installation height
dimension	DN32	grate frame
capacity	0,17 l/sec	grate
weight	0,09	load class

EAN

9003076500215

inlet

standards

DIN19541, EN1451

DOWNLOADS

Foto Print	HL21_pr.tif	max.
Foto Web	HL21_B.jpg	640x480/300dpi
Foto Parts List	HL21_gr.jpg	150x150/72dpi
Techn. drawing	HL21_a.pdf	pdf
CAD	HL21_2_a.dxf	dxf
example of use	HL21_PZ.pdf	pdf