

# HL310NPr

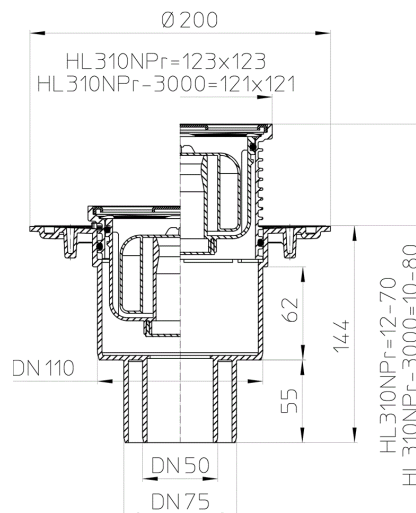
floor drain DN50/75/110 vertical with trap seal PRIMUS, 123x123mm/115x115mm



floor drain DN50/75/110 vertical with flange, trap seal PRIMUS, cut-to-size grate frame 12 - 70 mm / 123 x 123 mm and stainless steel grate 115 x 115 mm. Comes with lot cover.



## Techn. drawing



## TECHNICAL DATA

<b>material</b>	PP, PE, Edelstahl	<b>installation height</b>	158mm
<b>dimension</b>	DN50/75/110	<b>grate frame</b>	12-70mm/123x123mm
<b>capacity</b>	0,5 l/s	<b>grate</b>	Edelstahl 115x115mm
<b>weight</b>	0,75	<b>load class</b>	K3 - 300kg

EAN

9003076004676

inlet

standards

EN1253

## MAIN DATA

### spare parts



#### HL037Pr.1E

Stainless steel grate 115x115mm



#### HL310NK

floor drain body DN50/75/110 vertical



#### HL37NPr

grating d 110mm/123x123mm/115x115mm with trap seal PRIMUS. Comes with lot cover



#### HL037N.2E

grate frame d 110mm/90mm/123x123mm incl. O-ring



#### HL01067D

O-ring 92x4mm



#### HL037N.OE

supporting frame/cover 123x123mm



#### HL037Pr.1E

Stainless steel grate 115x115mm



#### HL2000

trap seal PRIMUS



#### HL01067D

O-ring 92x4mm

### attachment



#### HL0510.7E

trap seal cartridge



#### HL3000

grating d 110mm/stainless steel frame 121x121mm/115x115mm. System "KLICK-KLACK". Comes with supporting frame/cover.



#### HL0510.7EKK

trap seal cartridge



#### HL2000KK

trap seal PRIMUS



#### HL619

fixing brackets



#### HL3110

stainless steel grate (316) 115x115mm



#### HL3127

Stainless steel grate 115x115mm 'Primus Design'



#### HL3210

Extension d 110/100mm, stainless steel frame (V4A) 121x121mm, incl. O-Ring. System "Klick-Klack".



**HL619**  
fixing brackets



**HL840**  
fire collar R90 for HL310N series



**HL845**  
formwork-core with center-ring for HL840

### Alternatives



**HL310N**  
floor drain DN50/75/110 vertical 123x123mm/115x115mm



**HL310NPrG**  
floor drain DN50/75/110 vertical with trap seal PRIMUS,150x150mm/137x137mm cast iron



**HL310NPrR**  
floor drain DN50/75/110 vertical with trap seal PRIMUS, round d 133mm/d 112mm

### extensions



**HL340N**  
extension 80mm/d 110mm incl. O-ring



**HL85N**  
extension with flange incl. O-ring



**HL85NC**  
extension d 110mm CeraDrain with polymer concrete collar incl. O-ring



**HL85NH**  
extension incl. O-ring with bitumen membrane

### Waterproofing Kits



**HL83**  
waterproofing kit with EPDM collar 400x400mm



**HL83.0**  
waterproofing kit



**HL83.H**  
waterproofing kit with bitumen membrane d 400mm



**HL83.M**  
Sealing kit with laminated fleece



**HL83.P**  
waterproofing kit with flange PVC d 287mm

### DOWNLOADS

<b>Foto Print</b>	<b>HL310NPr_pr.tif</b>	max.
<b>Foto Web</b>	<b>HL310NPr_B.jpg</b>	640x480/300dpi
<b>Foto Parts List</b>	<b>HL310NPr_gr.jpg</b>	150x150/72dpi
<b>Techn. drawing</b>	<b>HL310NPr_b.pdf</b>	pdf

**CAD**

**HL310NPR\_2\_a.dxf**

dxf

**example of use**

**HL310NPr\_PZ.pdf**

pdf