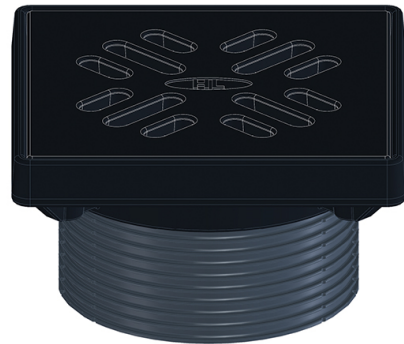


HL3910G

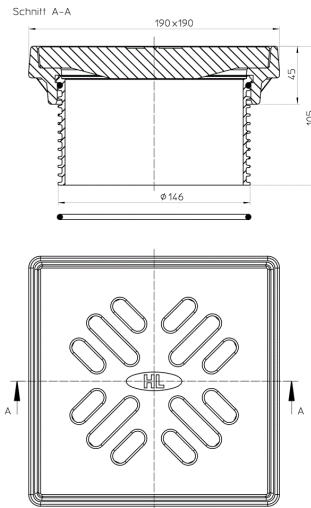
Grating d 146mm, cast iron frame 190x190mm, cast iron grate
175x175mm



Grating d 146mm, cast iron frame 190x190mm, cast iron
grate
175x175mm, hight overall 105mm, frame size 44mm



Techn. drawing



TECHNICAL DATA

material	PP/GG	installation height	105mm (45-80mm)
dimension		grate frame	45-80mm
capacity		grate	175x175mm Guss
weight	5,4	load class	B - max. 12,5 t

MAIN DATA**spare parts**

HL01093D
O-ring 125x4



HL03910G.1E
Cast iron inlet 175x175mm



HL03910G.2E
Grating d 146mm, cast iron frame 190x190mm



HL01093D
O-ring 125x4

attachment

HL05100.7E
Normal siphon complete



HL2100
Siphon PRIMUS for HL3100Pr and HL5100Pr

Alternatives

HL3910
Grating d 146 mm/ Stainless steel frame 145x145 mm/ Stainless steel grate 138x138 mm, System Klick-Klack



HL3910.1
Grating d 146 mm/ Stainless steel frame 145x145 mm/ Stainless steel grate 138x138 mm, System Klick-Klack, with siphon



HL3910Pr
Grating d 146 mm/ Stainless steel frame 145x145 mm/ Stainless steel grate 138x138 mm, System Klick-Klack, siphon PRIMUS



HL3911
Extension d 146mm, stainless steel frame (V4A) 145x145mm, stainless steel grate 138x138mm, screwable.



HL3928
Extension "Hamam" d 146mm, stainless steel brass plated frame and grate 145x145mm / 138x138mm, "Klick-Klack"

extensions

HL3400
Elongation element d 146 mm/ 200 mm incl. O-ring



HL8500
Elongation element 200 mm/ d 146 mm with flange and O-ring



HL8500H
Extension with bitumen flange for HL3100T and 5100T series

used with

HL3100TG
Drain DN75/110 vertical with frost-proof stench flap, cast iron frame 190x190mm, cast iron grate 175x175mm

**HL3100THG**

Drain DN75/110 vertical with bitumen flange, frost-proof stench flap, cast iron frame 190x190mm, cast iron grate 175x175mm

**HL5100TG**

Drain DN75 horizontal with frost-proof stench flap, cast iron frame 190x190mm, cast iron grate 175x175mm

**HL5100THG**

Drain DN75 horizontal with bitumen flange, frost-proof stench flap, cast iron frame 190x190mm, cast iron grate 175x175mm

PACKAGING DATA**carton**

unit	1 [pcs.]
weight	5,5 [kg]
EAN/pack.	9003076048793
height/width/depth	155/205/205 [mm]
volume	0,006513875 [m ³]

DOWNLOADS

Foto Print	HL3910G_pr.tif	max.
Foto Web	HL3910G_B.jpg	640x480/300dpi
Foto Parts List	HL3910G_gr.jpg	150x150/72dpi
Techn. drawing	HL3910G_1_a.pdf	pdf
CAD	HL3910G_2_a1.dxf	dxf
example of use	HL3910G_PZ.pdf	pdf