

# HL39G

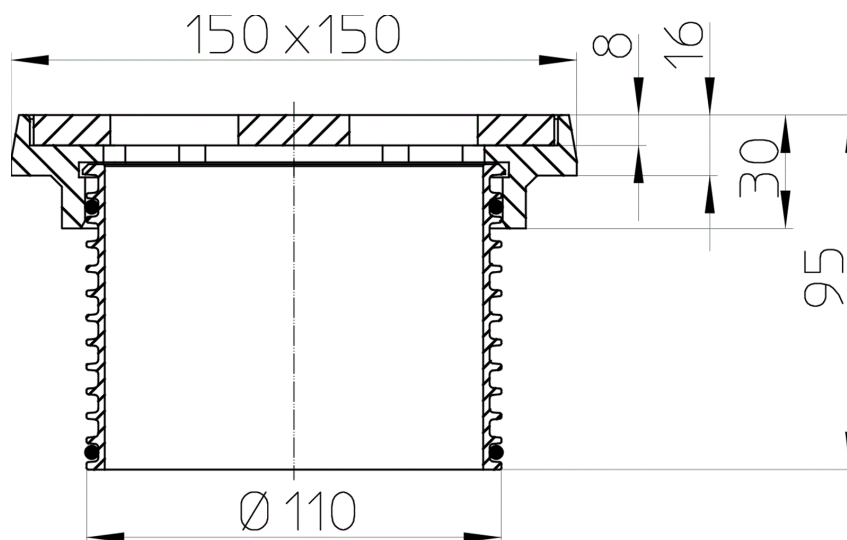
grating d 110mm/cast iron frame 150x150mm/137x137mm cast iron



grating d 110 mm with cast iron frame 150 x 150 mm and  
-grate 137 x 137 mm. Total height 93 mm, frame height  
30 mm



## Techn. drawing



## TECHNICAL DATA

<b>material</b>	PP	<b>installation height</b>	93 mm
<b>dimension</b>	d 110 mm	<b>grate frame</b>	150x150mm Guss
<b>capacity</b>		<b>grate</b>	Gusseisen 137x137mm
<b>weight</b>	2,035	<b>load class</b>	A bzw. L - 1,5 t

EAN

9003076000647

inlet

standards

## MAIN DATA

### spare parts



**HL01067D**

O-ring 92x4mm



**HL037G.1E**

cast iron grate 137x137mm



**HL037G.2E**

Grating d 110mm, cast iron frame 150x150mm



**HL01067D**

O-ring 92x4mm

### attachment



**HL0510.7E**

trap seal cartridge



**HL090.4E**

flap cartridge



**HL2000**

trap seal PRIMUS



**HL619**

fixing brackets

### Alternatives



**HL39.1G**

grating d 110mm/cast iron frame 150x150mm/137x137mm cast iron with trap seal



**HL39PrG**

grating d 110mm/cast iron frame 150x150mm/137x137mm cast iron with trap seal PRIMUS

### extensions



**HL340N**

extension 80mm/d 110mm incl. O-ring



**HL85N**

extension with flange incl. O-ring



**HL85NC**

extension d 110mm CeraDrain with polymer concrete collar incl. O-ring



**HL85NH**

extension incl. O-ring with bitumen membrane

### used with



**HL300G**

floor drain DN50 horizontal with inlet DN40/50, 150x150mm/137x137mm cast iron

**HL70G**

floor drain DN75/110 horizontal with non-return valve and 3 inlets DN40/50, 150x150mm/137x137mm cast iron

**HL81.1G**

floor drain DN50/75 ball-joint with trap seal, 150x150mm/137x137mm cast iron

**HL81.1GH**

floor drain DN50/75 ball-joint with bitumen membrane and trap seal, 150x150mm/137x137mm cast iron

**HL81G**

balcony and terrace drain DN50/75 ball-joint with frost-proof flap seal, 150x150mm/137x137mm cast iron

**HL81GH**

balcony and terrace drain DN50/75 ball-joint with bitumen membrane and frost-proof flap seal, 150x150mm/137x137mm cast iron

**DOWNLOADS**

<b>Foto Print</b>	<b>HL39G_pr.tif</b>	max.
<b>Foto Web</b>	<b>HL39G_B.jpg</b>	640x480/300dpi
<b>Foto Parts List</b>	<b>HL39G_gr.jpg</b>	150x150/72dpi
<b>Techn. drawing</b>	<b>HL39G_b.pdf</b>	pdf
<b>CAD</b>	<b>HL39G_2_b.dxf</b>	dxf
<b>example of use</b>	<b>HL39G_PZ.pdf</b>	pdf