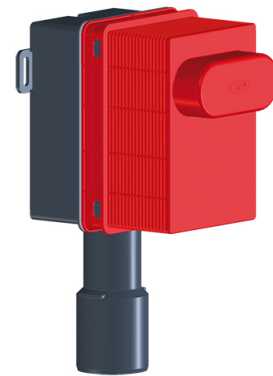
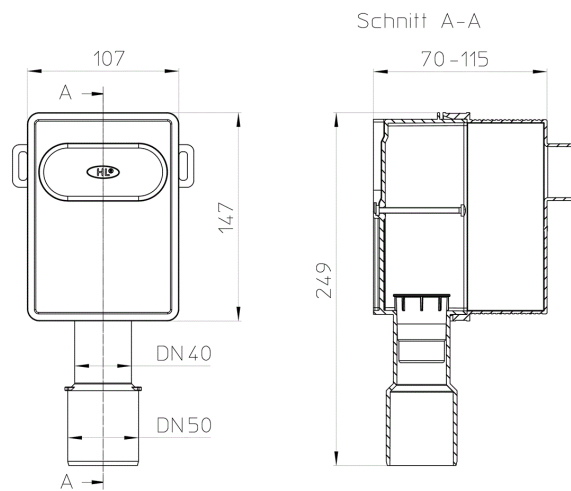


HL4000.0

Framing set recessed washing device / washbasin siphon (HL4000.0 corpus)



Techn. drawing



TECHNICAL DATA

| | | |
|------------------|---------|----------------------------|
| material | PP | installation height |
| dimension | DN40/50 | grate frame |
| capacity | | grate |
| weight | 0,244 | load class |

MAIN DATA

spare parts



HL04000.0E

Lot cover for HL4000.0



HL04000.1E

Odor assurance



HL04000.2E

Locking screw

attachment



HL4000.1

"Single-Upgrade-kit" for washing device siphon HL4000.0 corpus



HL4000.2

"Double-Upgrade-kit" for HL4000.0 corpus (e.g. washing machine and clothes dryer)



HL4000.3

"Washbasin-Upgrade-kit" for HL4000.0 corpus



HL134.1C

90° angled brass-connector DN32, chrome plated



HL134.1K

90° angled plastic-connector DN32, white



HL19T.2/30

tee DN32x1 1/4' with HL19.2



HL19T/30

tee DN32x1 1/4' with HL19



HL902T/30

air admittance valve 1' with tee DN32x1 1/4'



HL405B

adjustable strap



HL44

mounting plate



HL405B

adjustable strap

DOWNLOADS

Foto Print

[HL4000_0_pr.tif](#)

max.

Foto Web

[HL4000_0_B.jpg](#)

640x480/300dpi

Foto Parts List

[HL4000_0_gr.jpg](#)

150x150/72dpi

| | | |
|-----------------------|--------------------------|-----|
| Techn. drawing | HL4000_0_1_a.pdf | pdf |
| CAD | HL4000.0_2_a1.dxf | dxf |
| example of use | HL4000_PZ.pdf | pdf |