

HL4000.2

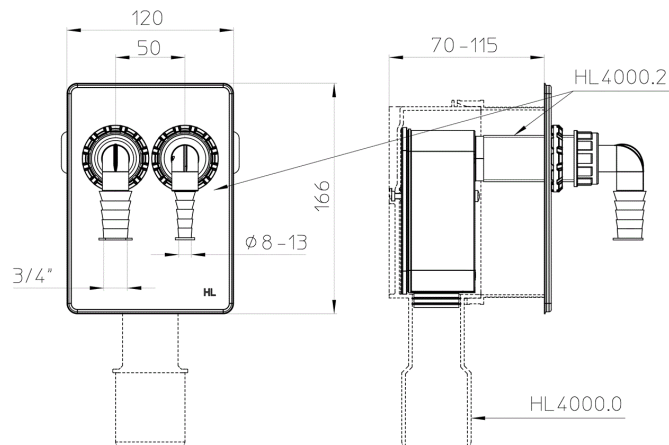
"Double-Upgrade-kit" for HL4000.0 corpus (e.g. washing machine and clothes dryer)



Washbasin-Upgrade-kit for HL4000.0 corpus for single washbasin connection. The siphon cartridge is inserted into HL4000.0 corpus and may easily be removed for maintenance reasons at any time. Usage for single connection to the washbasin in combination with both connectors HL134.1 or 134.1C.



Techn. drawing



TECHNICAL DATA

material	PP(Edelstahl)	installation height
dimension		grate frame
capacity		grate
weight	0,35	load class

EAN

9003076041640

inlet

standards

DIN19541

MAIN DATA

spare parts



HL04000.5E

Threaded ring 1'



HL04000.6E

Siphon cartridge with double vent



HL04000.7E

Stainless steel plate with double vent



HL19

appliance hose connector 1'x3/4', O-ring



HL01050D

O-ring 18x2,5mm



HL0400.7E

plug



HL19.2

appliance hose connector 1'x8-13mm, O-ring



HL01050D

O-ring 18x2,5mm

DOWNLOADS

Foto Print	HL4000_2_pr.tif	max.
Foto Web	HL4000_2_B.jpg	640x480/300dpi
Foto Parts List	HL4000_2_gr.jpg	150x150/72dpi
Techn. drawing	HL4000_2_1_a.pdf	pdf
CAD	HL4000.2_2_a1.dxf	dxf
example of use	HL4000_PZ.pdf	pdf