

## HL605.1

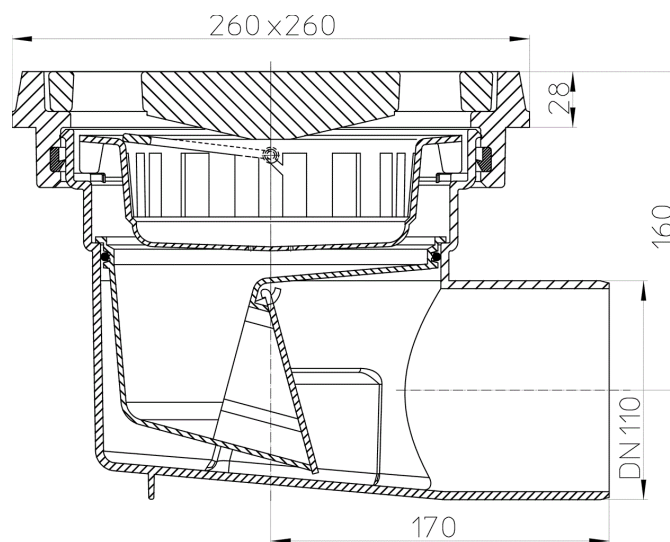
perfect-drain DN110 horizontal 260x260mm/226x226mm cast iron with frost-proof flap seal



perfect-drain DN110 horizontal with cast iron grate frame 260 x 260 mm, cast iron grate 226 x 226 mm, strainer and frost- and drought-proof flap seal



### Techn. drawing



### TECHNICAL DATA

<b>material</b>	PP / GG	<b>installation height</b>	215 mm
<b>dimension</b>	DN110	<b>grate frame</b>	260 x 260 mm Guss
<b>capacity</b>	4,2 l/s	<b>grate</b>	Gusseisen 226x226mm
<b>weight</b>	11,813	<b>load class</b>	B - 12,5t (aussen)

EAN

9003076006700

inlet

standards

## MAIN DATA

### spare parts



**HL0606.1E**

cast iron grate 226x226mm



**HL0606.2E**

strainer



**HL0606.3E**

flap cartridge



**HL605.1K**

perfect-drain body DN110 horizontal 260x260mm cast iron

### attachment



**HL0605.2E**

trap cartridge



**HL609**

heating kit 36W/230V

### Alternatives



**HL605.1W**

perfect-drain DN110 horizontal 260x260mm/226x226mm cast iron with trap seal

### extensions



**HL608**

extension 144mm/d 195mm



**HL608.1**

extension 144mm/d 195mm with cast iron frame



**HL618**

Extension 130mm/d 195mm with flange



**HL618H**

extension 130mm/d 195mm with bitumen membrane



**HL620**

extension 105mm/d 195mm

## DOWNLOADS

Foto Print

**HL605x1\_pr.tif**

max.

Foto Web

**HL605x1\_B.jpg**

640x480/300dpi

Foto Parts List

**HL605x1\_gr.jpg**

150x150/72dpi

Techn. drawing

**HL605\_1\_a.pdf**

pdf

**CAD**

**HL605\_1\_2\_a.dxf**

dxf

**example of use**

**HL605\_1\_PZ.pdf**

pdf