

HL605

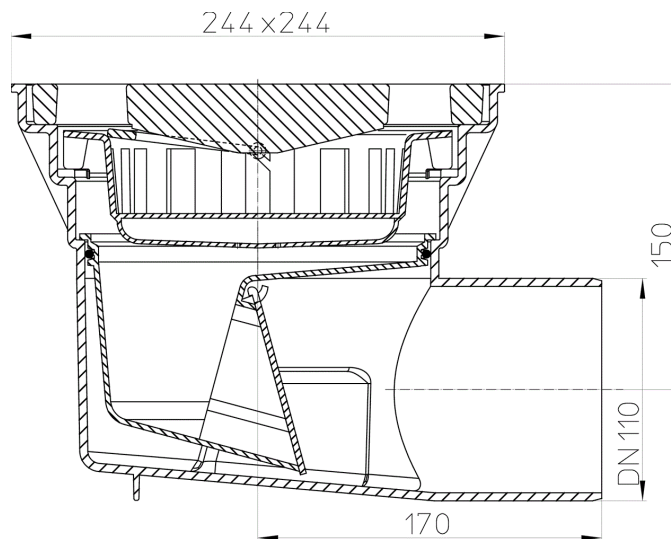
perfect-drain DN110 horizontal 244x244mm plastic / 226x226mm cast iron with frost-proof flap seal



perfect-drain DN110 horizontal with plastic grate frame 244 x 244 mm, cast iron grate 226 x 226 mm, strainer and frost- and drought-proof flap seal



Techn. drawing



TECHNICAL DATA

material	PP/GG	installation height	205 mm
dimension	DN110	grate frame	244 x 244 mm
capacity	4,2 l/s	grate	Gusseisen 226 x 226 mm

weight	7,023	load class	A - 1,5 t (außen)
EAN	9003076006687	inlet	
		standards	

MAIN DATA

spare parts



HL0606.1E
cast iron grate 226x226mm



HL0606.2E
strainer



HL0606.3E
flap cartridge



HL605K
Perfect-drain body DN110 horizontal 244x244mm plastic

attachment



HL0605.2E
trap cartridge



HL609
heating kit 36W/230V

Alternatives



HL605.1
perfect-drain DN110 horizontal 260x260mm/226x226mm cast iron with frost-proof flap seal



HL605.1W
perfect-drain DN110 horizontal 260x260mm/226x226mm cast iron with trap seal



HL605L
perfect-drain DN110 horizontal 244x244mm/226x226mm plastic with frost-proof flap seal



HL605LW
perfect-drain DN110 horizontal 244x244mm/226x226mm plastic with trap seal



HL605S
perfect-drain DN110 horizontal 244x244mm/226x226mm plastic with frost-proof flap seal



HL605SW
perfect-drain DN110 horizontal 244x244mm plastic/226x226mm stainless steel with trap seal



HL605W
perfect-drain DN110 horizontal 244x244mm plastic/226x226mm cast iron with trap seal

extensions



HL608
extension 144mm/d 195mm



HL608.1
extension 144mm/d 195mm with cast iron frame

**HL618**

Extension 130mm/d 195mm with flange

**HL618H**

extension 130mm/d 195mm with bitumen membrane

**HL620**

extension 105mm/d 195mm

DOWNLOADS

Foto Print	HL605_pr.tif	max.
Foto Web	HL605_B.jpg	640x480/300dpi
Foto Parts List	HL605_gr.jpg	150x150/72dpi
Techn. drawing	HL605_a.pdf	pdf
CAD	HL605_2_a.dxf	dxf
example of use	HL605_PZ.pdf	pdf